

## ENNA RECESS SWITCHED

astro

## GENERAL

|                           |                             |
|---------------------------|-----------------------------|
| LOCATION:                 | Interior                    |
| CLASS:                    | CE (Class I)                |
| IP RATING:                | IP20                        |
| BATHROOM ZONE:            | Zone 3                      |
| VOLTAGE:                  | Mains 230V                  |
| INSTALLATION ORIENTATION: | Wall Mount                  |
| MAIN MATERIAL:            | Metal - Aluminium           |
| DIMENSIONS:               | H: 110mm W: 97.5mm D: 132mm |
| CUT OUT HOLE:             | Ø: 51mm/2in                 |
| RECESS DEPTH:             | 75mm                        |
| FIRE RATING:              | Not Applicable              |
| CABLE LENGTH:             | Not Applicable              |
| GROSS WEIGHT:             | 0.70Kg                      |

## LAMP

|                            |                |
|----------------------------|----------------|
| LIGHT SOURCE:              | HIGH POWER LED |
| MAXIMUM WATTAGE:           | 3.9W           |
| LAMP INCLUDED:             | Yes            |
| MAXIMUM LAMP LENGTH:       | Not Applicable |
| LUMINOUS FLUX:             | 151lm          |
| COLOUR TEMP:               | 2700K          |
| CRI:                       | 90             |
| R9:                        | 8              |
| MACADAM ELLIPSE:           | 3-Step         |
| TILT ADJUSTABLE ANGLE:     | 90°            |
| ROTATION ADJUSTABLE ANGLE: | 330°           |
| AVERAGE LIFESPAN:          | 60,000hrs      |
| L70:                       | >60,000 hours  |
| BEAM ANGLE:                | 18°            |

## ELECTRICAL

|                          |                |
|--------------------------|----------------|
| SWITCHED:                | Yes            |
| DIMMABLE:                | No             |
| DIMMING METHOD:          | Not Applicable |
| DRIVER INCLUDED:         | Yes            |
| DRIVER OUTPUT CURRENT:   | 700mA          |
| DRIVER OUTPUT VOLTAGE:   | Not Applicable |
| SUPPLY FREQUENCY:        | 50/60Hz        |
| DRIVER/BALLAST VOLTAGE:  | 100-240V       |
| DRIVER AVERAGE LIFESPAN: | 30000          |
| EFFICACY:                | 39lm/W         |

## ADDITIONAL INFORMATION

|                 |                                              |
|-----------------|----------------------------------------------|
| SHADE INCLUDED: | Not Applicable                               |
| SHADE MATERIAL: | Not Applicable                               |
| F MARK:         | Suitable for mounting on flammable materials |



CODE: 1058062  
FINISH: MATT WHITE



CODE: 1058064  
FINISH: POLISHED CHROME



CODE: 1058065  
FINISH: MATT NICKEL



CODE: 1058067  
FINISH: MATT BLACK



CODE: 1058088  
FINISH: BRONZE

TO MAINTAIN THIS PRODUCT TO ITS BEST CONDITION, PLEASE VIEW OUR CARE AND CLEANING GUIDE ON THE SUPPORT SECTION OF THE ASTRO WEBSITE.

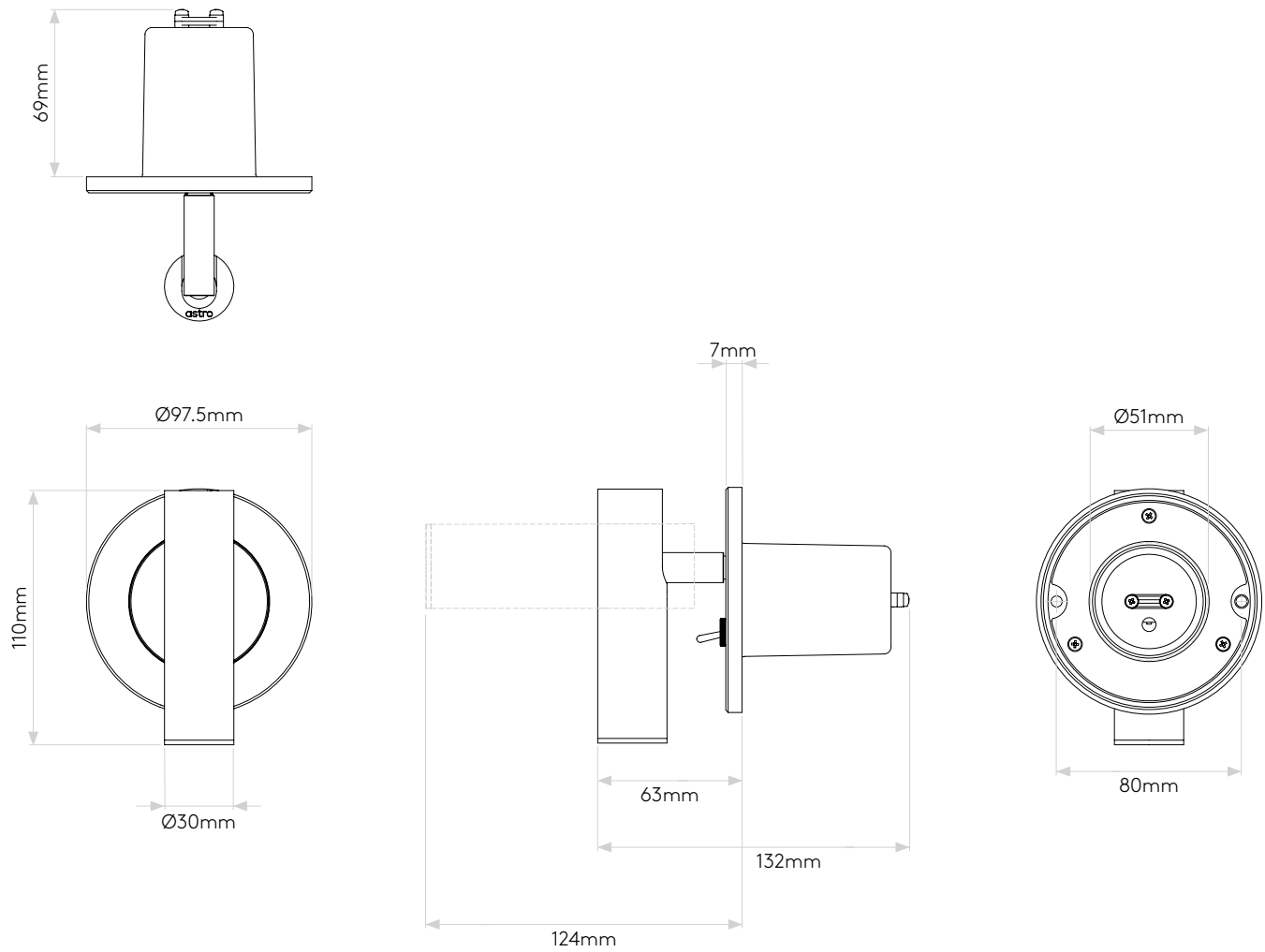
Pour entretenir au mieux ce produit, veuillez consulter notre guide d'entretien et de nettoyage, dans la rubrique d'aide sur le site Web d'Astro.

Um dieses Produkt im besten Zustand zu erhalten, beachten Sie bitte unseren Leitfaden zu Pflege und Reinigung im Abschnitt „Support“ auf der Astro-Website.

Per mantenere questo prodotto nelle sue migliori condizioni, consultare la nostra guida per la manutenzione e la pulizia nella sezione dedicata all'assistenza del sito Web Astro.

## PRODUCT ELEVATIONS

astro



Please note that some dimensions may vary slightly due to manufacturing tolerances, this includes cable entry and fixing holes

Veuillez noter que certaines dimensions peuvent varier légèrement en raison des tolérances de fabrication, y compris l'entrée de câble et les trous de fixation.

Bitte beachten Sie, dass die Maße Fertigungstoleranzen unterliegen und daher in geringem Umfang von der angegebenen Größe abweichen können. Dies gilt auch für Kabeleingänge und Befestigungslöcher.

Si prega notare che possono esserci piccole variazioni in alcune dimensioni dovute alle tolleranze di produzione, queste includono l'ingresso del cavo e i fori di fissaggio.