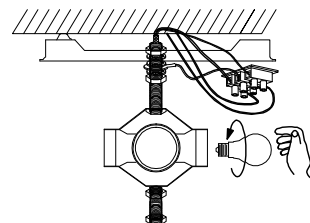
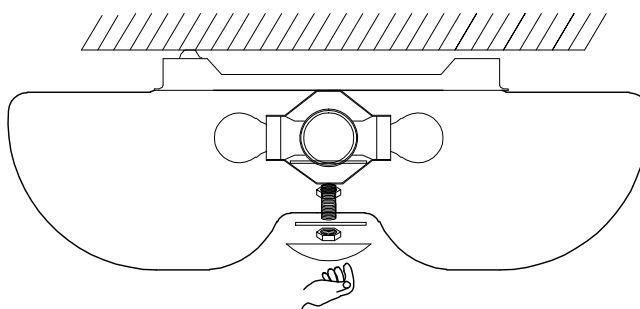


1



2



3

**Model: SCALE A**