



Black
2020666003



White
61681001



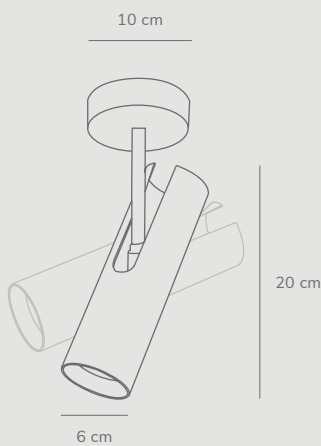
Black
61681003

MIB 6 by Bønnelycke mdd

Masterbox	Qty 3
Size	W: 10 cm, Shade Ø: 6 cm, Base mount: Ø10 cm Tilt angle: 90°
Material	Metal
IP Class	IP20, Class 2
Light source	GU10, Max. 35W, Excl. light source,

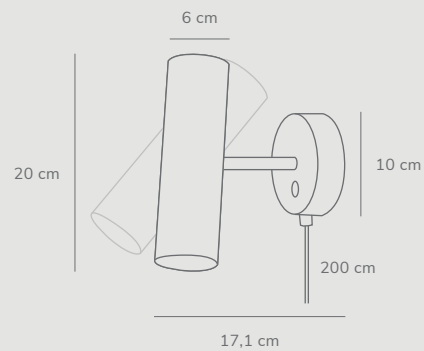
MIB 6 by Bønnelycke mdd

Masterbox	Qty 3
Size	H: 20 cm, W: 10 cm, D: 17,1 cm, Shade Ø: 6 cm, Base mount: Ø10 cm Tilt angle: 90°
Material	Metal
IP Class	IP20, Class 2
Cable	Cable: White/Black/Grey 200 cm replaceable Touch switch on wall base
Light source	GU10, Max. 8W



Features

- Contemporary, yet timeless design
- Slim and elegant
- Tiltable head - possible to adjust light direction



Features

- Contemporary, yet timeless design
- Slim and elegant
- Tiltable head - possible to adjust light direction
- BIM file available