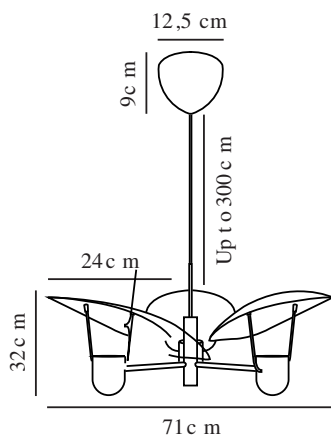


FABIOLA | PENDANT | BLACK

2220223003



Voltage (V): 220-240 Volt
 IP degree: IP20
 Maximum bulb wattage (W): 40W
 Class (Class 1, Class 2, Class 3):
 Class 2 (Double isolated)
 Socket type: GU10

Height (cm): 32
 Width (cm): 71
 Tube Diameter (cm): 1.1
 Shade Diameter (cm): 27
 Length (cm): 24

Sales Box Height (cm): 36
 Sales Box Width (cm): 68
 Sales Box Depth (cm): 62
 Sales Box Volume m³: 0.1518
 Product net weight (kg): 2.64

Primary material: Metal
 Secondary material: Plastic
 Colour of the cable: Black
 Length of the cable (cm): 300
 Surface material of the cable:
 Textile
 Is the cable replaceable: False
 Colour: Black

EAN: 5704924009969
 Item Number: 2220223003
 Pcs Per Master Carton: 1

- Modern Italian style • Iconic and sculptural design language
- Soft, indirect light • Elegant brass details

The Fabiola pendant by Danish designer Charlotte Hønlcke draws inspiration from vintage Italian design and effortlessly unites past classics with present modernity. The design is elegant and sculptural, underlined by the placement of the three shades to ensure a soft, indirect light. Brass details add a luxurious look and feel.