

# EGLO

IP44 IK06

Art.-Nr.

900257

Dimension (mm)  
L\*W\*H

276x266x52

Weight  
(kgs)

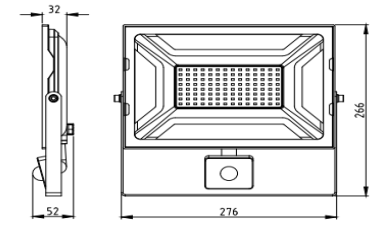
1.6

Mounting  
height (m)

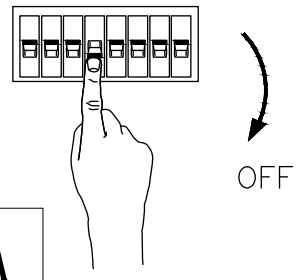
≤5

Wind Catching  
Area (m<sup>2</sup>)

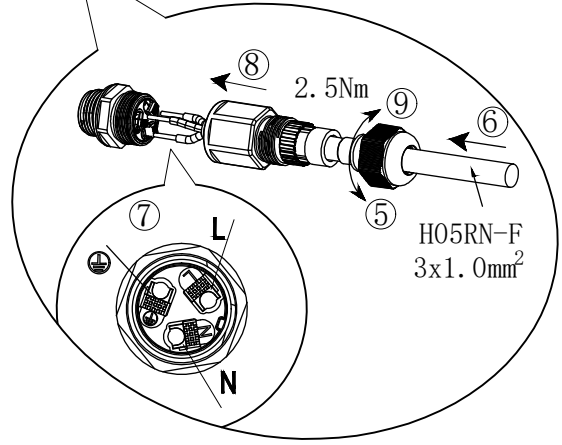
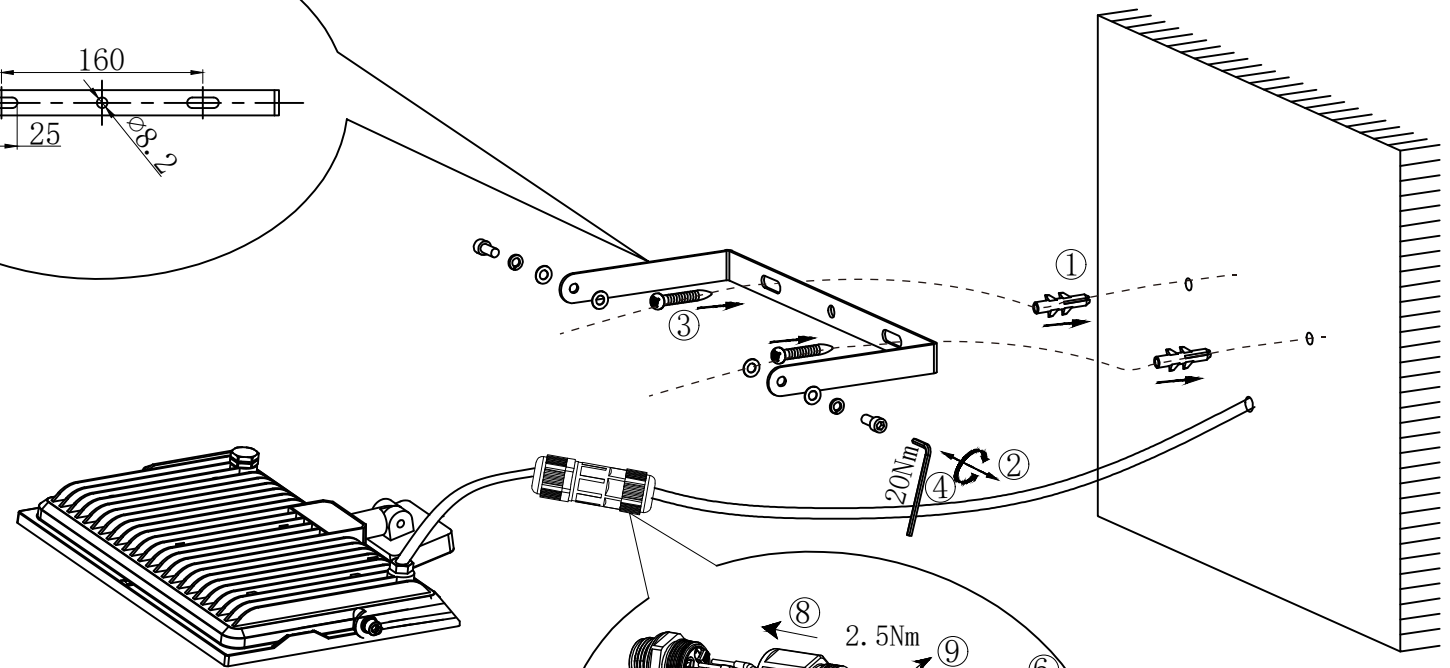
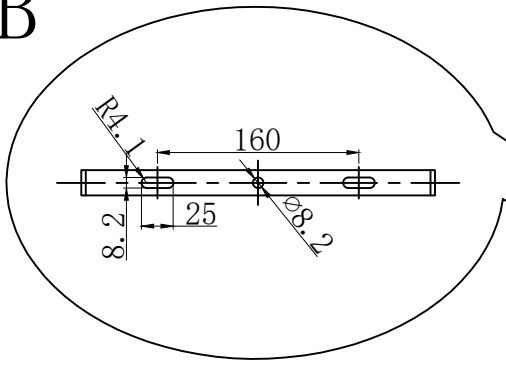
0.073



A



B



C

