

* 3 options:

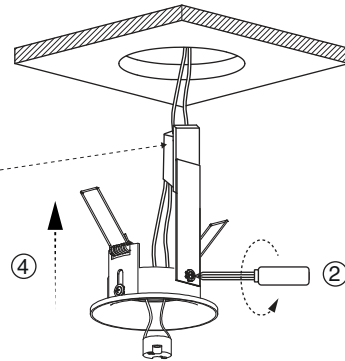
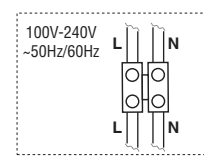
REF. 43399, 43409

REF. 43400, 43410

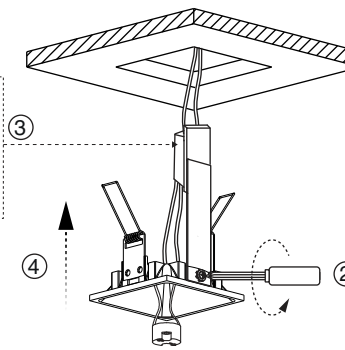
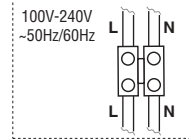
Option 1 GU10 MAX 8W LED no incl.



① Ø65mm



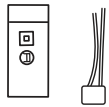
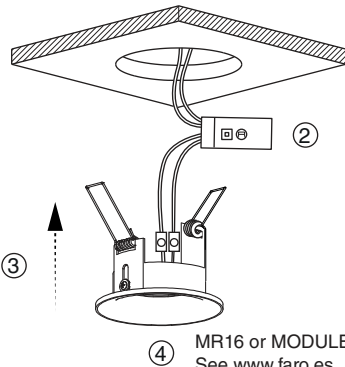
Socket GU10 CLASS II
No incl.
See www.faro.es



Option 2 MR16 12V MAX 8W LED no incl.



① 70x70mm



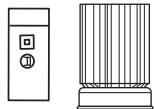
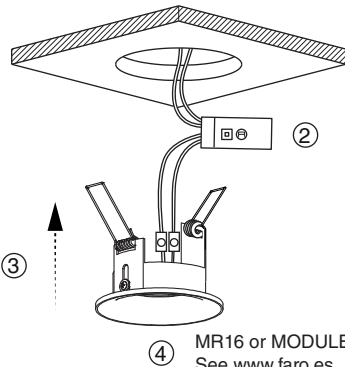
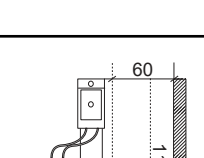
Driver No incl.
Socket MR16 No incl.
See www.faro.es



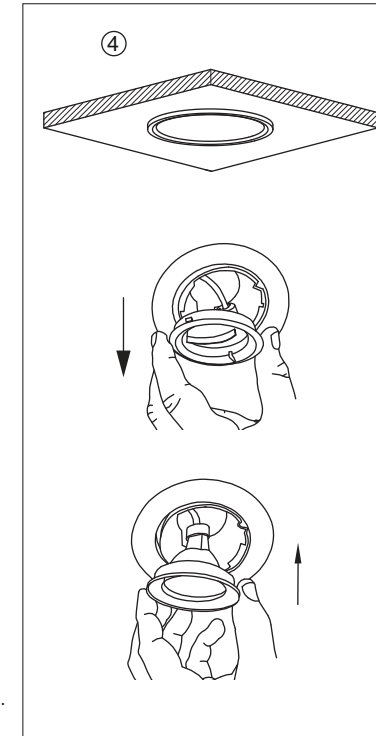
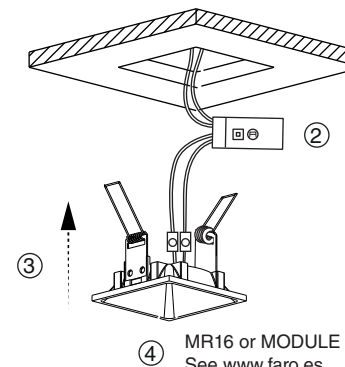
Option 3 LED MODULE MAX 8W LED no incl.



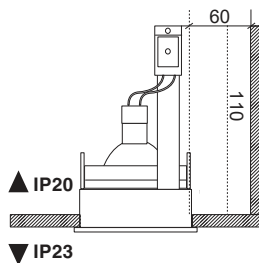
① MR16 or MODULE LED No incl.
See www.faro.es



Driver No incl.
See www.faro.es



TECHNICAL FEATURES



Together we take care of the planet