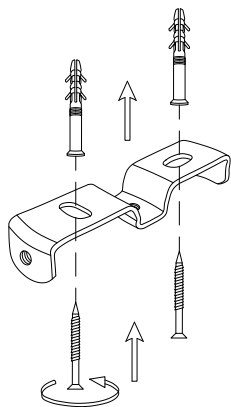
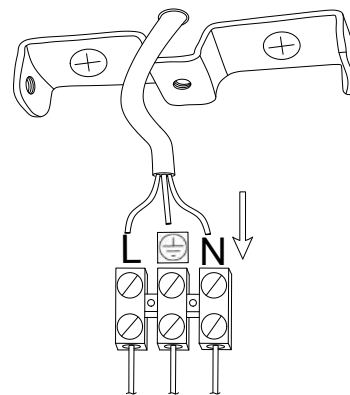


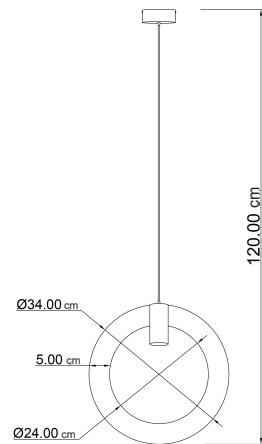
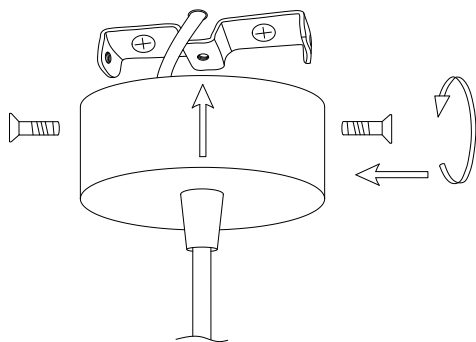
①



②



③



Equipment

Drywall screw	2
Dowel	2