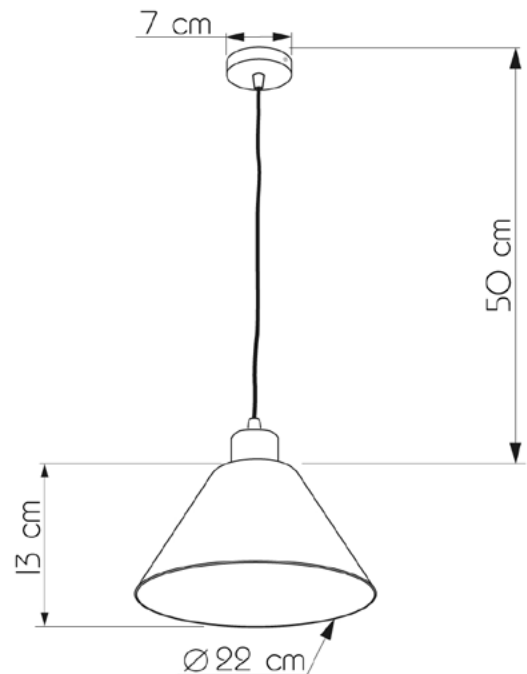


ADELAIDE

654122.12.01



Height:	50 cm
Diameter of lampshade:	22 cm
Height of lampshade:	13 cm
Lampholder / Socket:	E27
Number of light sources:	1
Max. wattage:	60W (watts)
Voltage:	220 V (volt)
Material:	metal/glass
Color:	gold / white
Lamp included:	no
Protection class:	IP20

