

GU10 N LED

Źródło światła LED



[V] 220-240 AC	[Hz] 50	PAR16	SMD	120° Φ _{use}	ellipse ≤ 6x Macadam	Ra 80
≥15000	15000 ^[h]	Hg	Pb	CE	EAC	UK CA



GU10 N LED 4W-CW



	PON [W]	[W]	[lm]	[lm] Φ _{use}	Tc [K]	[°]		Ei
GU10 N LED 4W-CW	31210	4	26	340	275	5300	120	GU10 G
GU10 N LED 4W-NW	31211	4	26	340	275	4000	120	GU10 G
GU10 N LED 6W-CW	31213	6	34	485	400	5300	120	GU10 G
GU10 N LED 6W-NW	31214	6	34	485	400	4000	120	GU10 G
GU10 N LED 6W-WW	31215	6	34	485	400	3000	120	GU10 G
GU10 N LED 8W-CW	31216	8	44	660	530	5300	120	GU10 G
GU10 N LED 8W-WW	31217	8	44	660	530	3000	120	GU10 G

- Materiał klosza: tworzywo sztuczne

GU10 N LED

Źródło światła LED



GU10 N LED 4W-CW



GU10 N LED 4W-NW



GU10 N LED 6W-CW



GU10 N LED 6W-NW



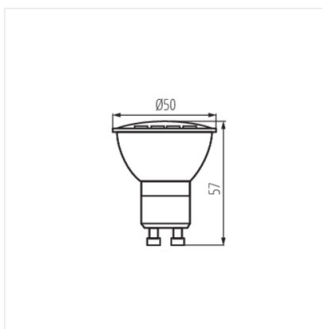
GU10 N LED 6W-WW



GU10 N LED 8W-CW



GU10 N LED 8W-WW



GU10 N LED