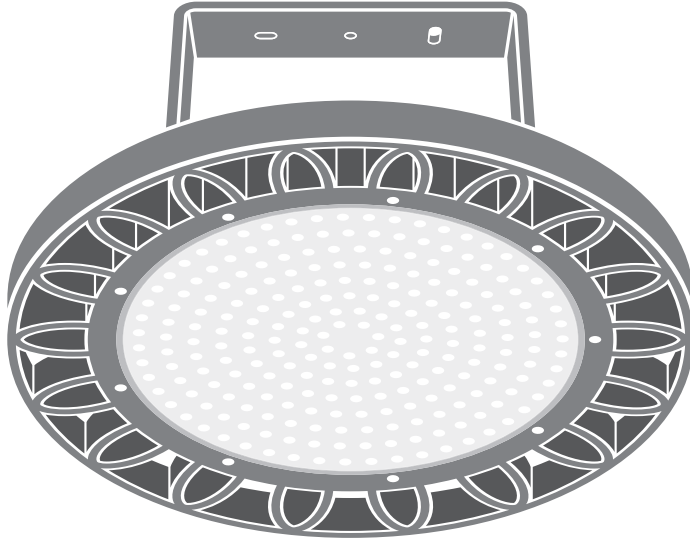


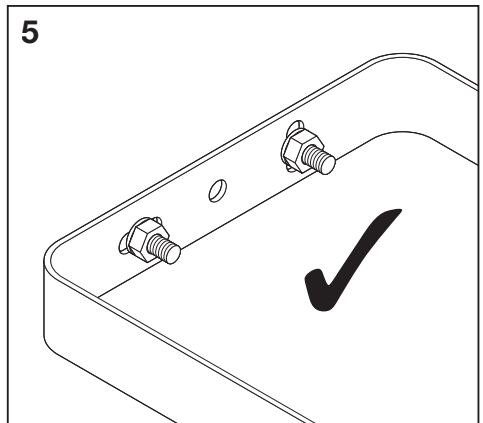
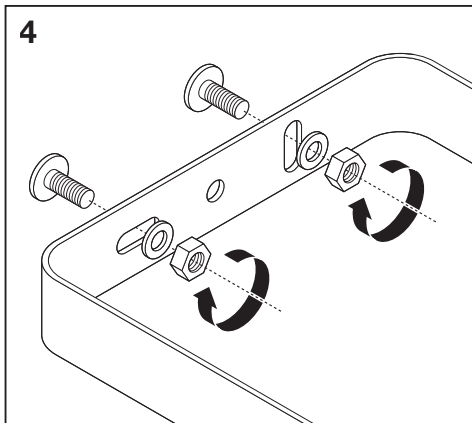
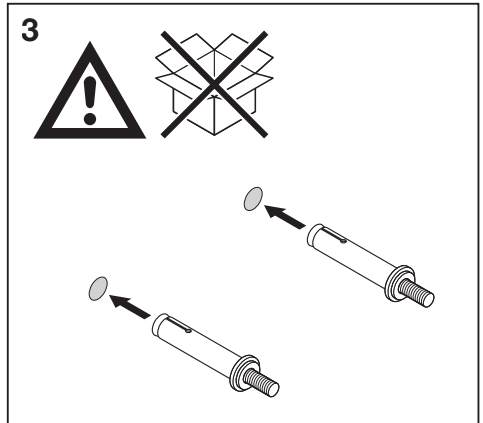
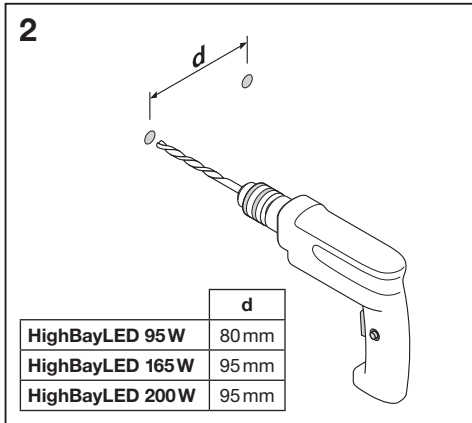
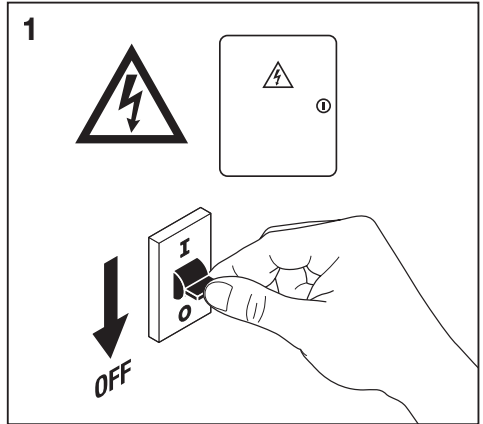
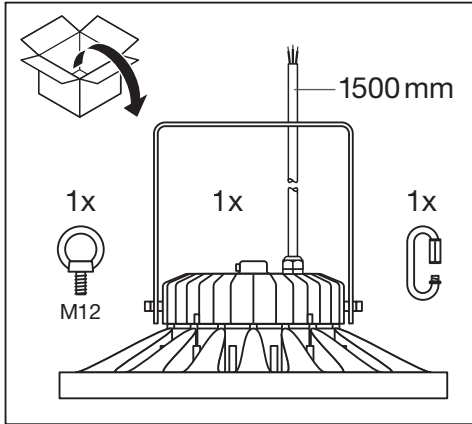
## HIGHBAY LED

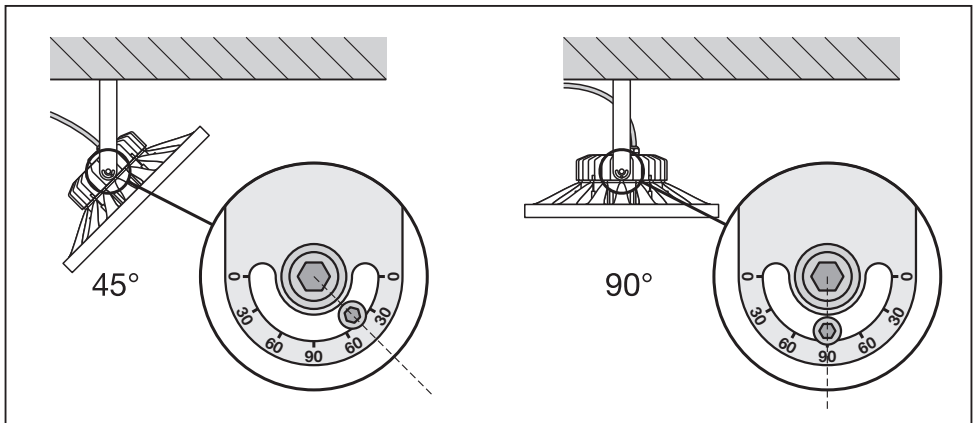
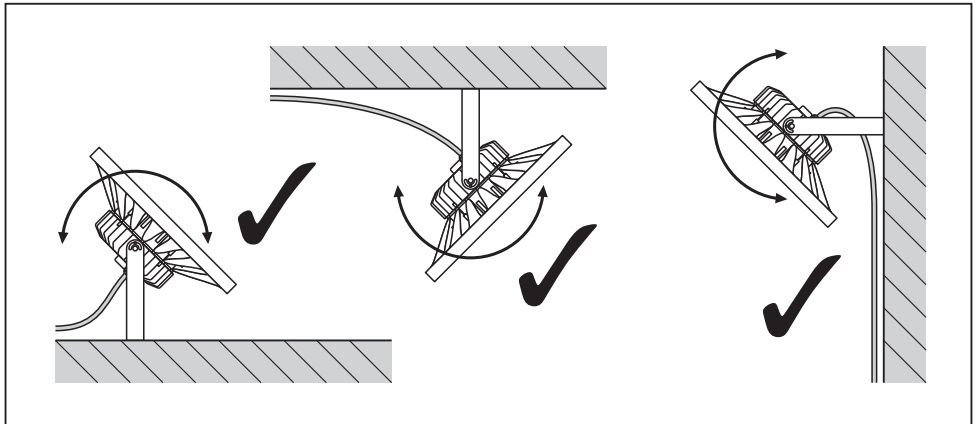
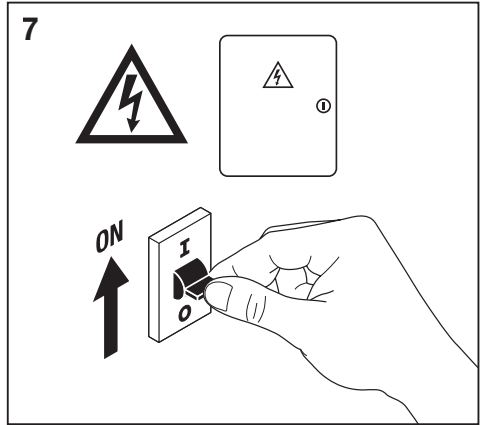
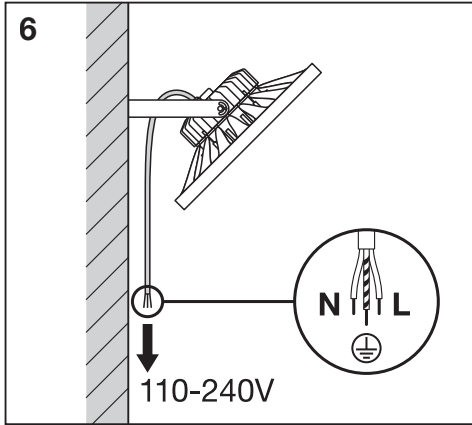


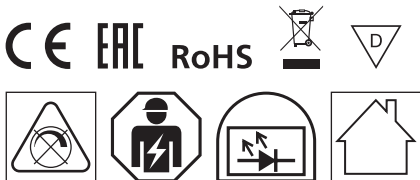
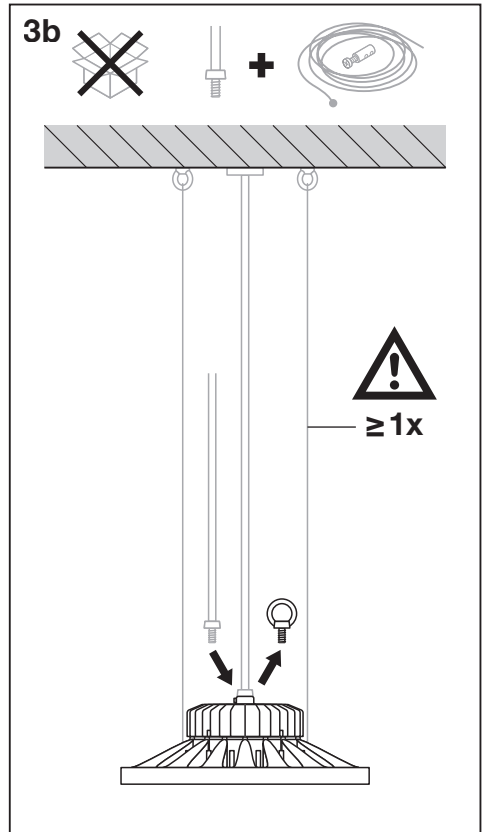
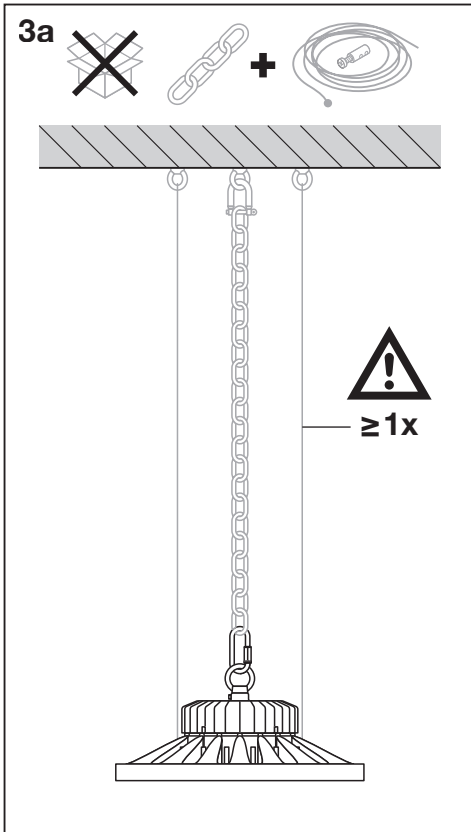
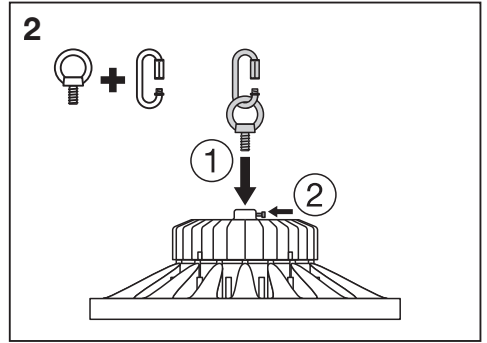
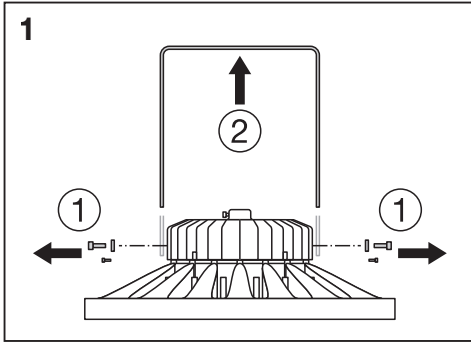
|                                   | EAN           | Ø x h [mm]  | W   | lm    | lm/W | I [mA] | K    | IP | IK |
|-----------------------------------|---------------|-------------|-----|-------|------|--------|------|----|----|
| HighBayLED 95W/4000K 90DEG IP65   | 4058075074330 | 285 x 129.5 | 95  | 13000 | 135  | 440    | 4000 | 65 | 08 |
| HighBayLED 95W/6500K 90DEG IP65   | 4058075074347 | 285 x 129.5 | 95  | 13000 | 135  | 440    | 6500 | 65 | 08 |
| HighBayLED 95W/4000K 110DEG IP65  | 4058075074354 | 285 x 129.5 | 95  | 13000 | 135  | 440    | 4000 | 65 | 08 |
| HighBayLED 165W/4000K 70DEG IP65  | 4058075074361 | 376 x 139   | 165 | 22000 | 135  | 730    | 4000 | 65 | 08 |
| HighBayLED 165W/6500K 70DEG IP65  | 4058075074378 | 376 x 139   | 165 | 22000 | 135  | 730    | 6500 | 65 | 08 |
| HighBayLED 200W/4000K 110DEG IP65 | 4058075074385 | 376 x 139   | 200 | 27000 | 135  | 900    | 4000 | 65 | 08 |

|                                   | EAN           | °C          | V <sub>AC</sub> | Hz       | ∇    | PF    | R <sub>a</sub> | ⚙      |
|-----------------------------------|---------------|-------------|-----------------|----------|------|-------|----------------|--------|
| HighBayLED 95W/4000K 90DEG IP65   | 4058075074330 | -30 ... +50 | 100-240V        | 50/60 Hz | 90°  | > 0.9 | >80            | 3.1 kg |
| HighBayLED 95W/6500K 90DEG IP65   | 4058075074347 | -30 ... +50 | 100-240V        | 50/60 Hz | 90°  | > 0.9 | >80            | 3.1 kg |
| HighBayLED 95W/4000K 110DEG IP65  | 4058075074354 | -30 ... +50 | 100-240V        | 50/60 Hz | 110° | > 0.9 | >80            | 3.1 kg |
| HighBayLED 165W/4000K 70DEG IP65  | 4058075074361 | -30 ... +50 | 100-240V        | 50/60 Hz | 70°  | > 0.9 | >80            | 4.4 kg |
| HighBayLED 165W/6500K 70DEG IP65  | 4058075074378 | -30 ... +50 | 100-240V        | 50/60 Hz | 70°  | > 0.9 | >80            | 4.4 kg |
| HighBayLED 200W/4000K 110DEG IP65 | 4058075074385 | -30 ... +50 | 100-240V        | 50/60 Hz | 110° | > 0.9 | >80            | 4.5 kg |

**HIGHBAY LED**







C10449057  
G11066216  
17.01.19



LEDVANCE GmbH  
Steinerne Furt 62  
86167 Augsburg, Germany  
[www.ledvance.com](http://www.ledvance.com)