

PRODUCT DATASHEET

O FACADE EDGE 12 W 3000 K IP54 GY

OUTDOOR FACADE EDGE | Slim LED luminaires with high light output and optional sensor



AREAS OF APPLICATION

- Outdoor
- Building facades
- Entrance lighting
- Gardens, balconies and other outdoor areas

PRODUCT BENEFITS

- Energy-efficient thanks to LED technology
- 5 years guarantee
- Easy and quick installation
- Homogeneous light output

PRODUCT FEATURES

- Very bright and functional outdoor LED luminaires
- Type of protection: IP54
- Die-cast aluminum housing
- Available with and without motion sensor
- Available in two housing colors: white and dark gray
- Diffuser made of opal polycarbonate with clear glass cover



TECHNICAL DATA

Electrical data

| | |
|--|---------------|
| Operating mode | Mains voltage |
| Mains frequency | 50/60 Hz |
| Power factor λ | >0.5 |
| Nominal wattage | 12.00 W |
| Nominal voltage | 220...240 V |
| Nominal current | 0.096 A |
| Max. no. of lum. on circuit break. B16 A | 33 |
| Max. no. of lum. on circuit break. C10 A | 42 |
| Max. no. of lum. on circuit break. C16 A | 26 |

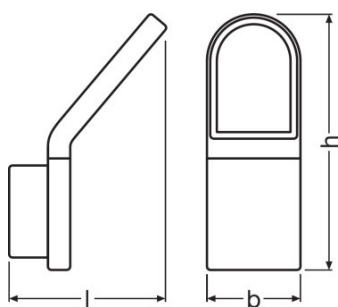
Photometrical data

| | |
|--------------------------------------|---------------------|
| Color temperature | 3000 K |
| Luminous efficacy | 60 lm/W |
| Luminous flux | 740 lm |
| Light color (designation) | Warm White |
| Color rendering index Ra | ≥ 80 |
| Standard deviation of color matching | <6 sdc _m |

Light technical data

| | |
|------------|-------|
| Beam angle | 110 ° |
|------------|-------|

Dimensions & weight



| | |
|----------------|-----------|
| Length | 168.0 mm |
| Width | 100.0 mm |
| Height | 273.0 mm |
| Product weight | 1300.00 g |

Colors & materials

| | |
|----------------|----------|
| Product color | Gray |
| Housing color | Gray |
| Body material | Aluminum |
| Cover material | Glass |

Temperatures & operating conditions

| | |
|---------------------------|--------------|
| Ambient temperature range | -20...+40 °C |
|---------------------------|--------------|

Lifespan

| | |
|----------------------------|---------|
| Number of switching cycles | 15000 |
| Lifespan L70/B50 at 25 °C | 30000 h |

Additional product data

| | |
|-------------------|---------|
| Mounting type | Surface |
| Mounting location | Wall |

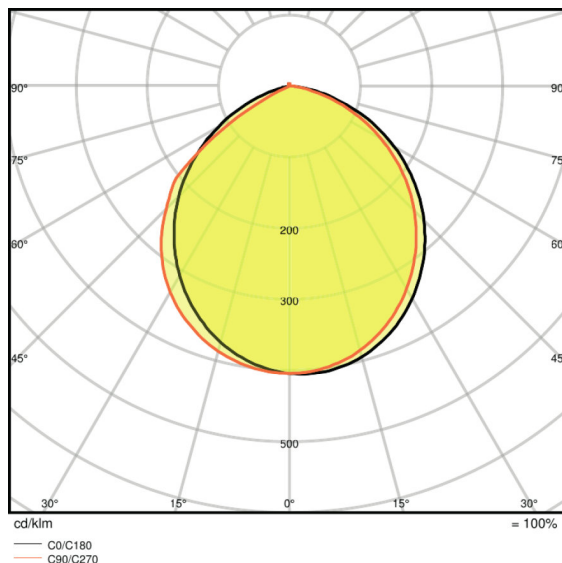
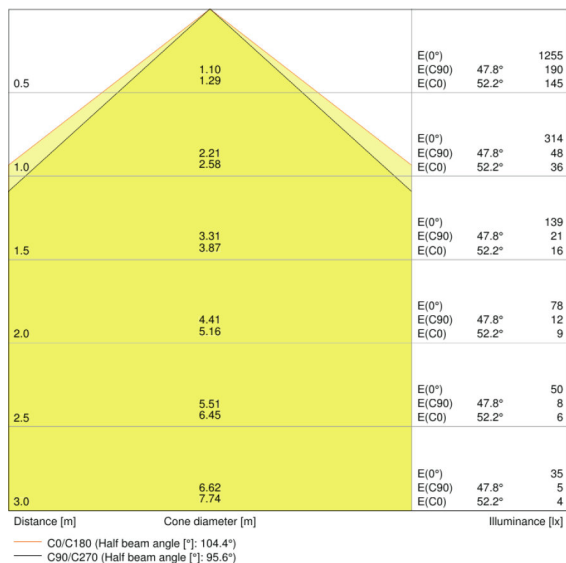
Capabilities

| | |
|------------------------|------------------------|
| Dimmable | No |
| Type of connection | Screw terminal, 3-Pole |
| LED module replaceable | Not replaceable |

Certificates & standards

| | |
|--|------|
| Type of protection | IP54 |
| Protection class | I |
| Protection class IK (shock resistance) | IK06 |
| Glow Wire Test according to IEC 60695-2-12 | - |
| Photobio. safety group acc. to EN62471 | RG0 |
| Standards | CE |

Light Distribution



LDC typ cone

LDC typ polar

EQUIPMENT / ACCESSORIES

- Complete mounting and connecting accessories included

LOGISTICAL DATA

| Product code | Packaging unit (Pieces/Unit) | Dimensions (length x width x height) | Gross weight | Volume |
|---------------|------------------------------|--------------------------------------|--------------|-----------------------|
| 4058075074750 | Folding carton box 1 | 134 mm x 204 mm x 296 mm | 1370.00 g | 8.09 dm ³ |
| 4058075074767 | Shipping carton box 4 | 425 mm x 285 mm x 315 mm | 5822.00 g | 38.15 dm ³ |

The mentioned product code describes the smallest quantity unit which can be ordered. One shipping unit can contain one or more single products. When placing an order, for the quantity please enter single or multiples of a shipping unit.

REFERENCES / LINKS

For Guarantee see

- ▶ www.ledvance.com/guarantee

DISCLAIMER

Subject to change without notice. Errors and omission excepted. Always make sure to use the most recent release.