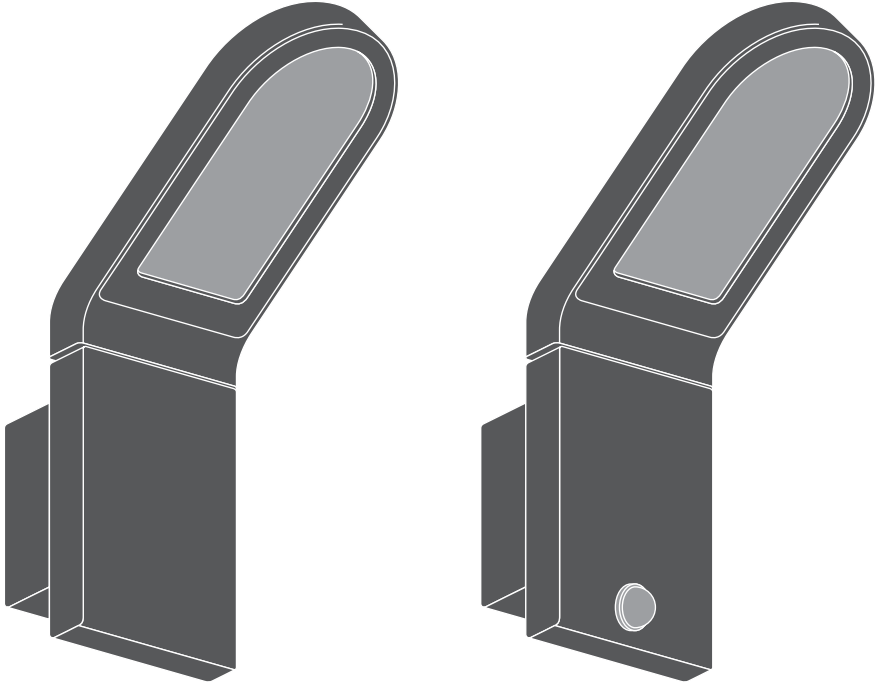


# Outdoor Facade Edge

## Outdoor Facade Edge Sensor



|   | EAN           | L x W x H   | W  | lm  | lm/W | K     | IP | IK |
|---|---------------|-------------|----|-----|------|-------|----|----|
| Outdoor Facade Edge 12W/3000K GY IP54   | 4058075074750 | 168x100x273 | 12 | 740 | 60   | 3000K | 54 | 06 |
| Outdoor Facade Edge 12W/3000K WT IP54   | 4058075074774 | 168x100x273 | 12 | 770 | 65   | 3000K | 54 | 06 |
| Outdoor Facade Edge 12W/3000K GY S IP54 | 4058075074798 | 168x100x273 | 12 | 740 | 60   | 3000K | 54 | 06 |
| Outdoor Facade Edge 12W/3000K WT S IP54 | 4058075074811 | 168x100x273 | 12 | 770 | 65   | 3000K | 54 | 06 |

|   | EAN           | ⚡    | 🌡️ (°C)  | PF    | Pa   | V <sub>AC</sub> | Hz       | 👤      |
|---|---------------|------|----------|-------|------|-----------------|----------|--------|
| Outdoor Facade Edge 12W/3000K GY IP54   | 4058075074750 | 110° | -20...40 | ≥ 0.5 | ≥ 80 | 220-240V        | 50/60 Hz | 1.3 kg |
| Outdoor Facade Edge 12W/3000K WT IP54   | 4058075074774 | 110° | -20...40 | ≥ 0.5 | ≥ 80 | 220-240V        | 50/60 Hz | 1.3 kg |
| Outdoor Facade Edge 12W/3000K GY S IP54 | 4058075074798 | 110° | -20...40 | ≥ 0.5 | ≥ 80 | 220-240V        | 50/60 Hz | 1.3 kg |
| Outdoor Facade Edge 12W/3000K WT S IP54 | 4058075074811 | 110° | -20...40 | ≥ 0.5 | ≥ 80 | 220-240V        | 50/60 Hz | 1.3 kg |

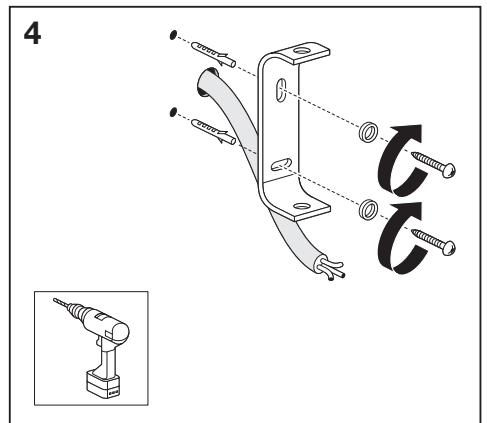
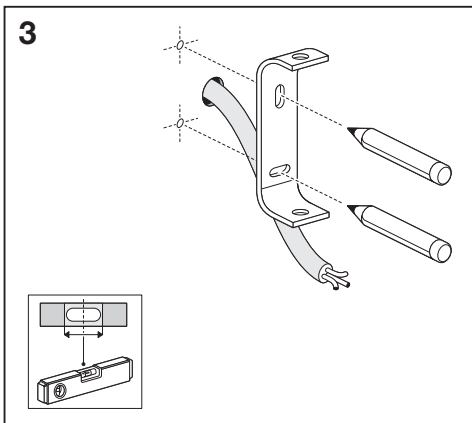
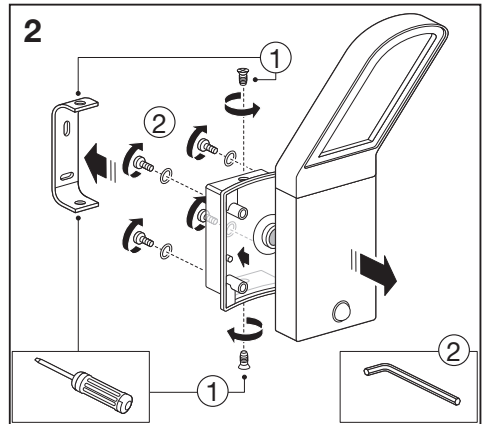
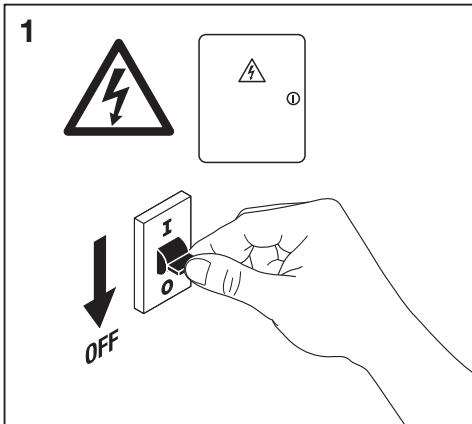
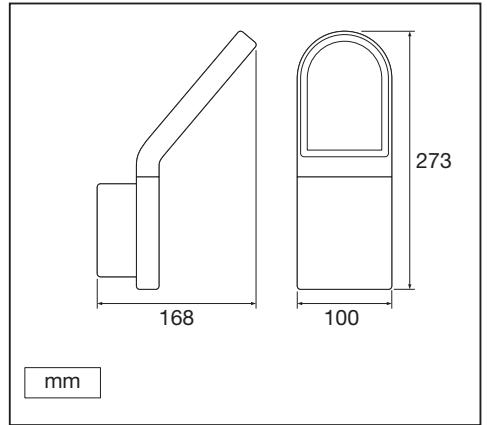
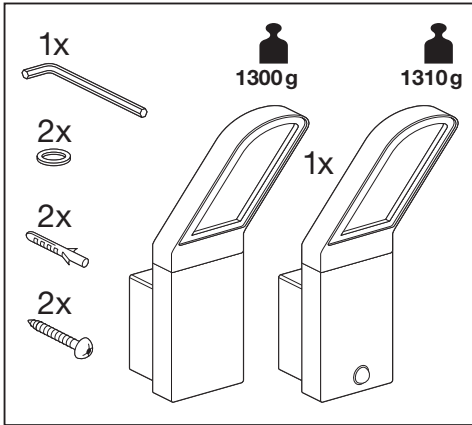


IP54

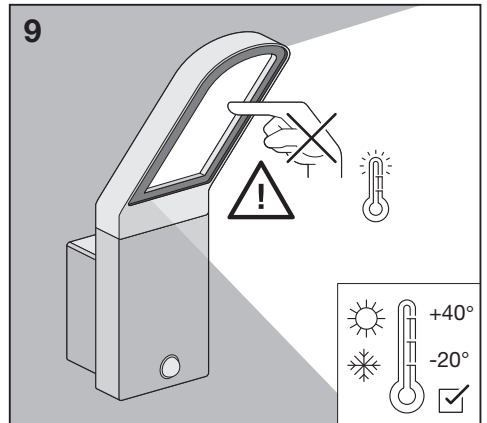
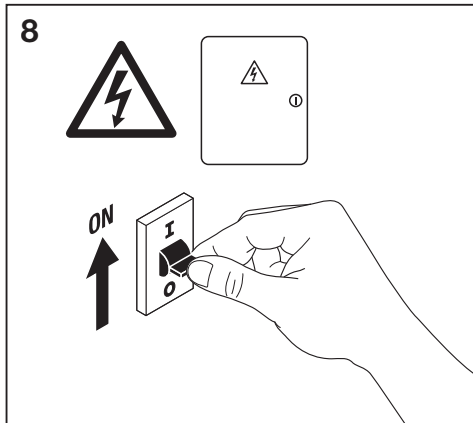
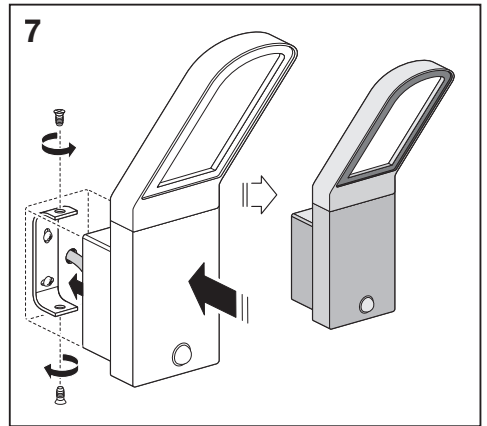
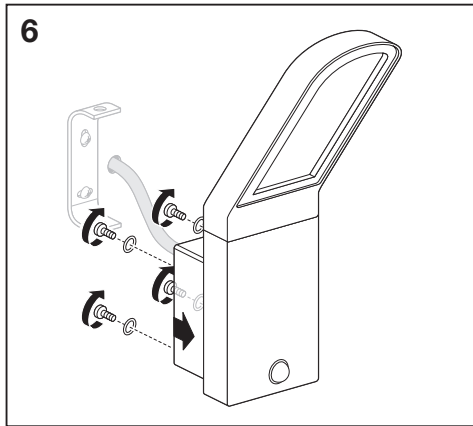
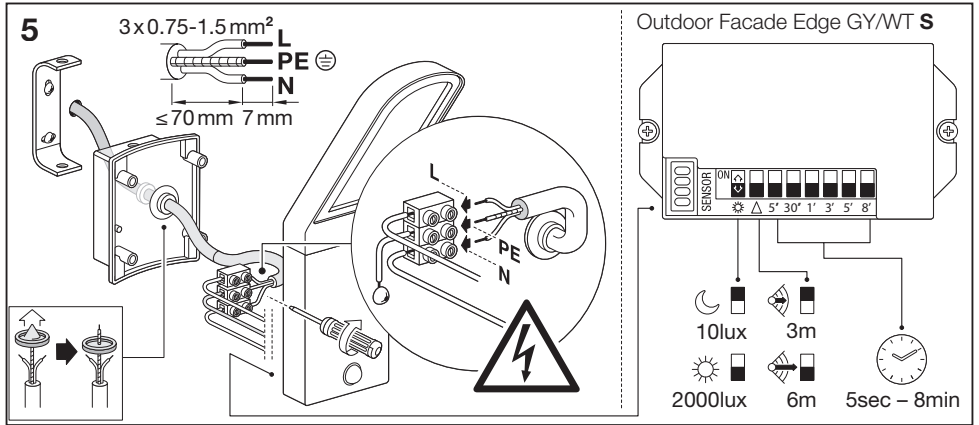
SMD  
LED

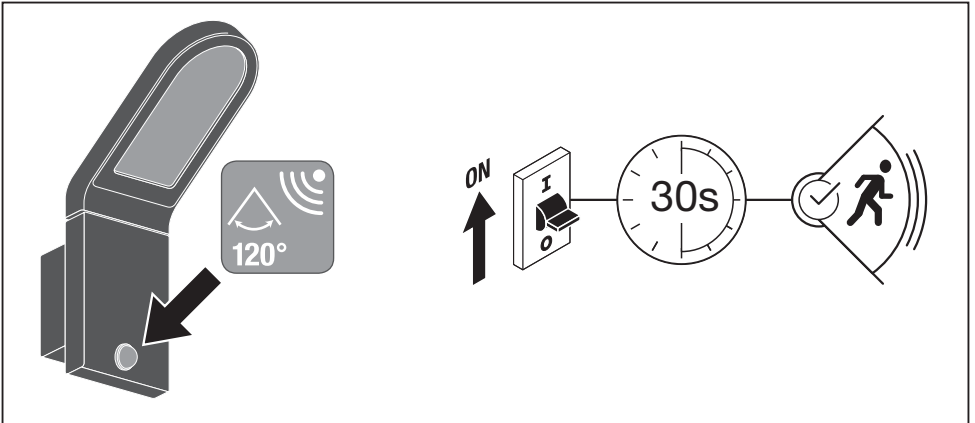
LEDVANCE

Outdoor Facade Edge / Outdoor Facade Edge Sensor

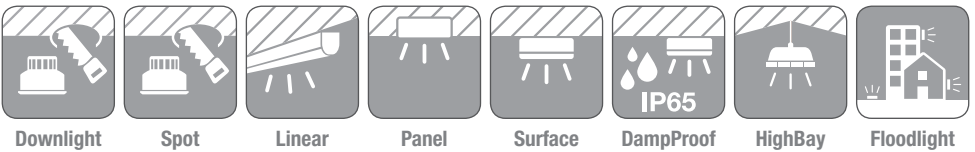


Outdoor Facade Edge / Outdoor Facade Edge Sensor





[www.luminares.ledvance.com](http://www.luminares.ledvance.com)



C10449057  
G11033056  
15.12.17

LEDVANCE GmbH  
Steinerne Furt 62  
86167 Augsburg  
Germany  
[www.ledvance.com](http://www.ledvance.com)