

PRODUCT FAMILY DATASHEET

FLOODLIGHT 10

Floodlight with symmetrical light output with 10 W



AREAS OF APPLICATION

- Replacement for floodlights with halogen lamps
- Car parks and underpasses
- Public areas
- Building facades
- Construction areas
- D-sign according to EN 60598-2-24 for fire-risk commercial unit, f. e. by accumulation of dust

PRODUCT BENEFITS

- Frosted cover made of tempered glass for uniform illumination
- Optimized weight and size due to compact design
- No upper light output ratio (ULOR 0%) when mounted at 0° tilt
- Energy savings of up to 90 % compared to halogen lamp floodlights
- 3 years guarantee

PRODUCT FEATURES

- Luminaire efficacy: up to 90 lm/W
- Symmetrical beam angle: 100° x 100°
- Mounting bracket for up to 180° tilting
- Type of protection: IP65
- Impact resistance: IK07
- Ambient temperature in operation: -20...+50 °C
- Connection via 1 m cable, wiring required

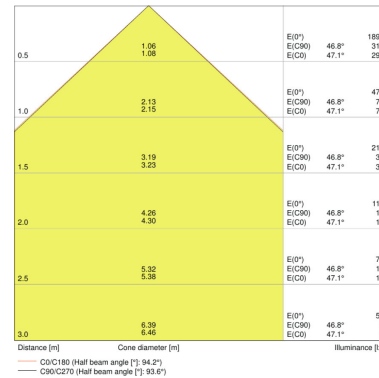
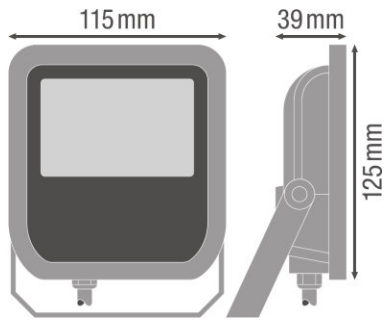


TECHNICAL DATA

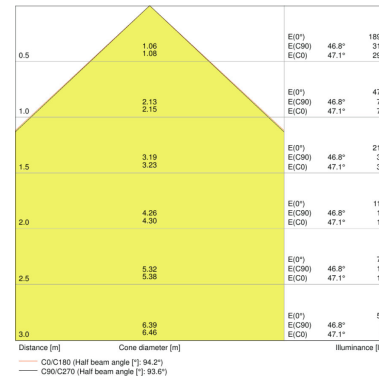
Product description	Electrical data			Photometrical data			Light technical data	Dimensions & weight				Colors & materials
	Nominal wattage	Nominal voltage	Mains frequency	Luminous flux	Light color (designation)	Color rendering index Ra	Beam angle	Length	Width	Height	Product weight	Body material
FLOODLIGHT 10 W 3000 K IP65 BK	10.00 W	220...240 V	50/60 Hz	1050 lm	Warm White	≥80	100 ° x 100 °	125.0 mm	115.0 mm	39.0 mm	380.00 g	Polycarbonate (PC)
FLOODLIGHT 10 W 3000 K IP65 WT	10.00 W	220...240 V	50/60 Hz	1050 lm	Warm White	≥80	100 ° x 100 °	125.0 mm	115.0 mm	39.0 mm	380.00 g	Polycarbonate (PC)
FLOODLIGHT 10 W 4000 K IP65 BK	10.00 W	220...240 V	50/60 Hz	1100 lm	Cool White	≥80	100 ° x 100 °	125.0 mm	115.0 mm	39.0 mm	380.00 g	Polycarbonate (PC)
FLOODLIGHT 10 W 4000 K IP65 WT	10.00 W	220...240 V	50/60 Hz	1100 lm	Cool White	≥80	100 ° x 100 °	125.0 mm	115.0 mm	39.0 mm	380.00 g	Polycarbonate (PC)

Product description	Product color	Housing color	Cover material	Temperatures & operating conditions	Lifespan	Number of switching cycles	Lifespan L70/B50 at 25 °C	Lifespan L80/B10 at 25 °C
				Ambient temperature range				
FLOODLIGHT 10 W 3000 K IP65 BK	Black	Black	Tempered glass	-20...+50 °C		100000	50000 h	30000 h
FLOODLIGHT 10 W 3000 K IP65 WT	White	White	Tempered glass	-20...+50 °C		100000	50000 h	30000 h
FLOODLIGHT 10 W 4000 K IP65 BK	Black	Black	Tempered glass	-20...+50 °C		100000	50000 h	30000 h
FLOODLIGHT 10 W 4000 K IP65 WT	White	White	Tempered glass	-20...+50 °C		100000	50000 h	30000 h

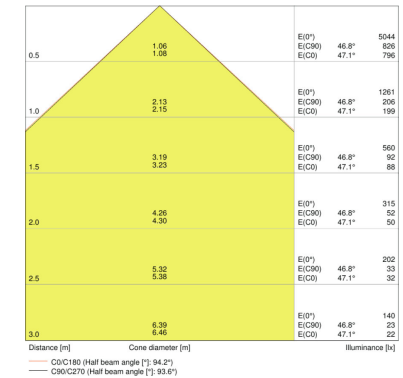
Product description	Lifespan L90/B10 at 25 °C	Capabilities			Certificates & standards		
		Adjustable	Dimmable	Type of connection	Protection class	Type of protection	Luminaire with limited surface temperature, class "D"
FLOODLIGHT 10 W 3000 K IP65 BK	15000 h	Yes	No	Cable, 3-pole	I	IP65	Yes
FLOODLIGHT 10 W 3000 K IP65 WT	15000 h	Yes	No	Cable, 3-pole	I	IP65	Yes
FLOODLIGHT 10 W 4000 K IP65 BK	15000 h	Yes	No	Cable, 3-pole	I	IP65	Yes
FLOODLIGHT 10 W 4000 K IP65 WT	15000 h	Yes	No	Cable, 3-pole	I	IP65	Yes



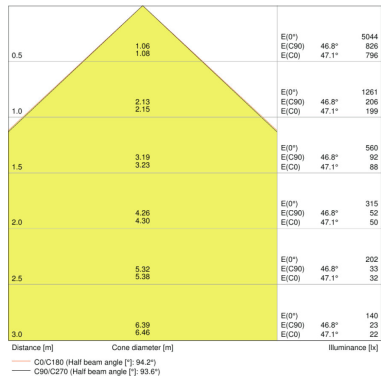
FLOODLIGHT 10 W 3000 K IP65 BK



FLOODLIGHT 10 W 3000 K IP65 WT



FLOODLIGHT 10 W 4000 K IP65 BK



FLOODLIGHT 10 W 4000 K IP65 WT

APPLICATION ADVICE

For more detailed application information and graphics please see product datasheet.

LOGISTICAL DATA

Product code	Packaging unit (Pieces/Unit)	Dimensions (length x width x height)	Gross weight	Volume
4058075097377	Shipping carton box 10	257 mm x 247 mm x 216 mm	5006.00 g	13.71 dm ³
4058075097391	Shipping carton box 10	257 mm x 247 mm x 216 mm	5004.00 g	13.71 dm ³
4058075097414	Shipping carton box 10	257 mm x 247 mm x 216 mm	4992.00 g	13.71 dm ³
4058075097438	Shipping carton box 10	257 mm x 247 mm x 216 mm	5002.00 g	13.71 dm ³

The mentioned product code describes the smallest quantity unit which can be ordered. One shipping unit can contain one or more single products. When placing an order, for the quantity please enter single or multiples of a shipping unit.

REFERENCES / LINKS

For Guarantee see

▶ www.ledvance.com/guarantee

DISCLAIMER

Subject to change without notice. Errors and omission excepted. Always make sure to use the most recent release.