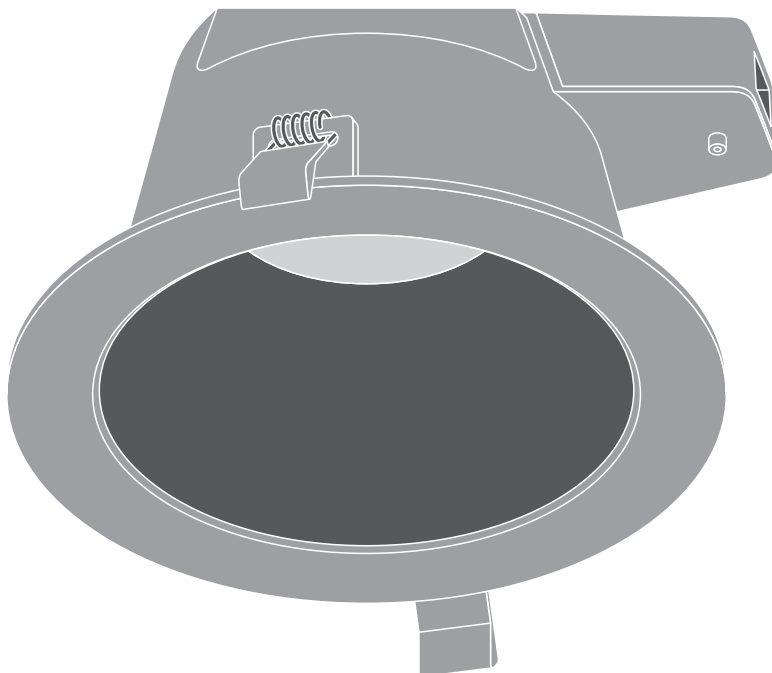


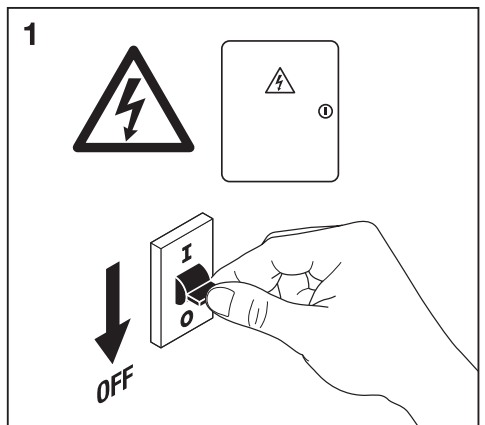
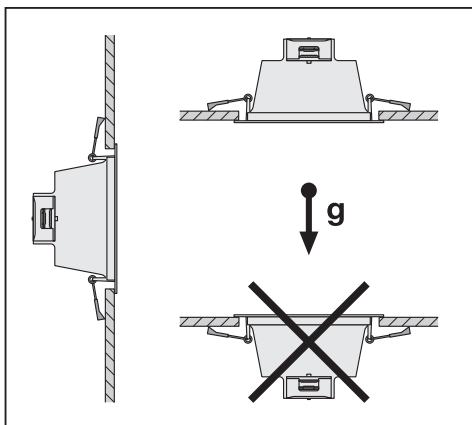
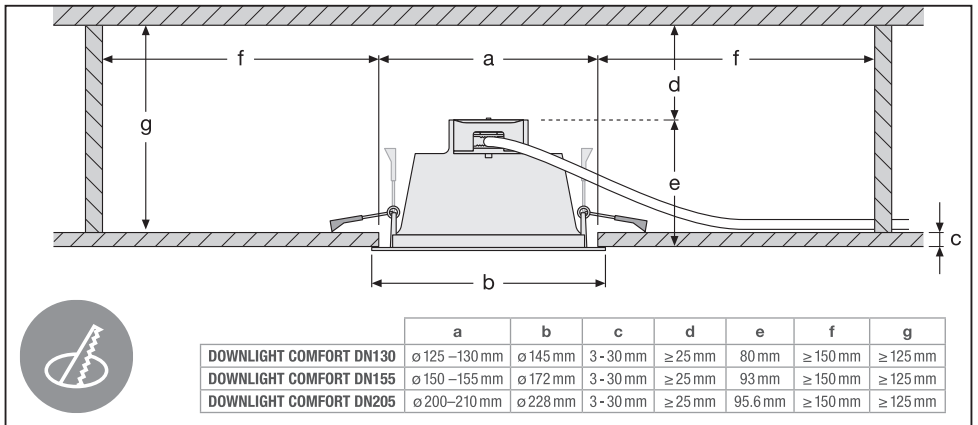
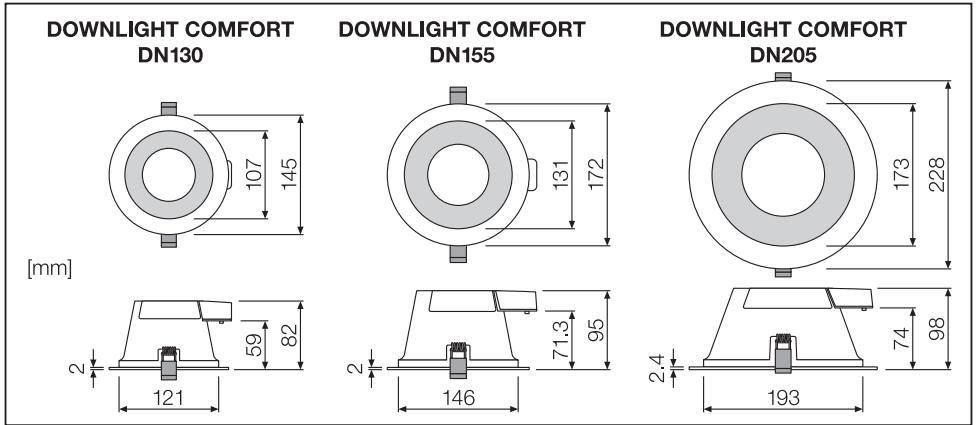
DOWNLIGHT COMFORT



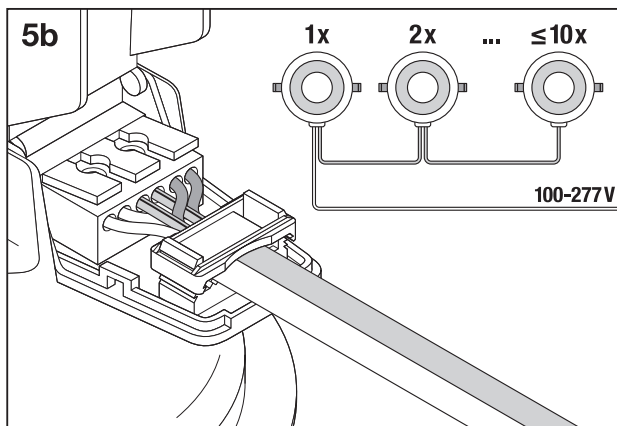
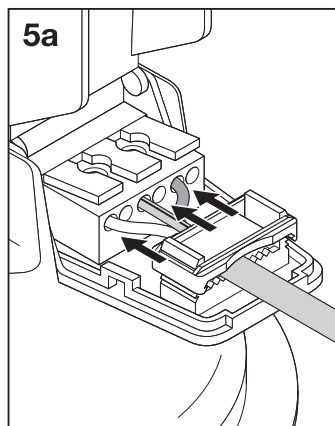
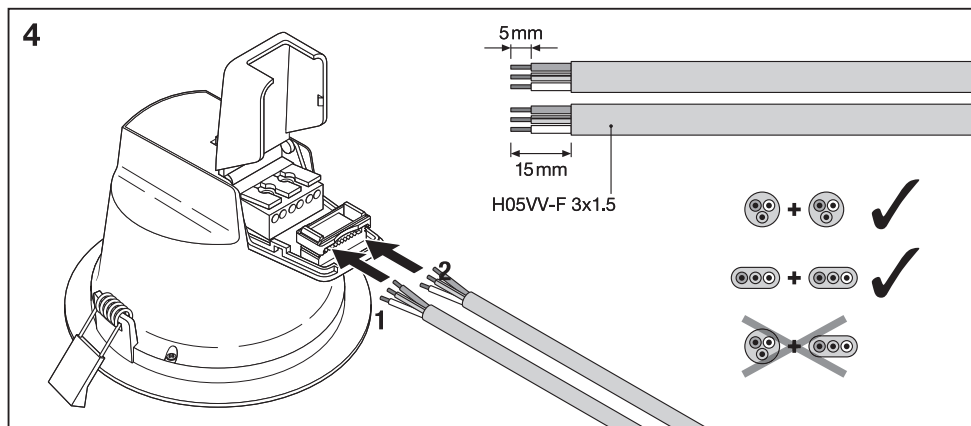
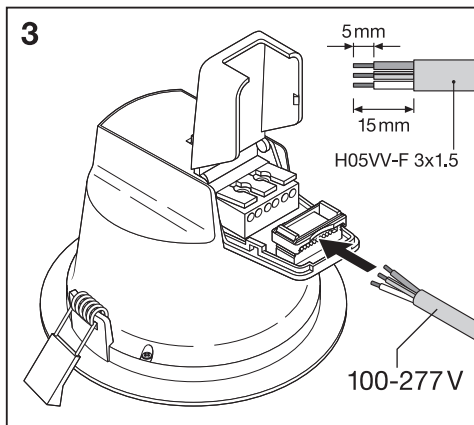
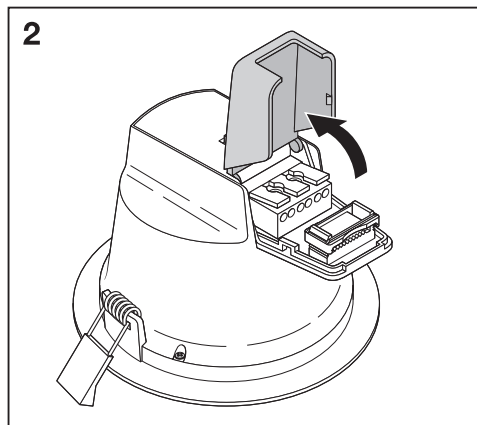
	EAN	Ø x h [mm]	K	W	lm	lm/W
DOWNLIGHT COMFORT DN130	4058075104068	145 x 82	3000 / 4000 / 5700	13	1030 @ 3000 K / 1210 @ 4000 K / 1110 @ 5700 K	85
DOWNLIGHT COMFORT DN155	4058075104082	172 x 95	3000 / 4000 / 5700	18	1400 @ 3000 K / 1620 @ 4000 K / 1470 @ 5700 K	85
DOWNLIGHT COMFORT DN205	4058075104105	228 x 98	3000 / 4000 / 5700	20	1720 @ 3000 K / 1930 @ 4000 K / 1810 @ 5700 K	90

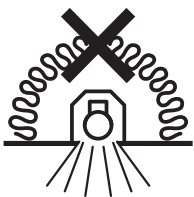
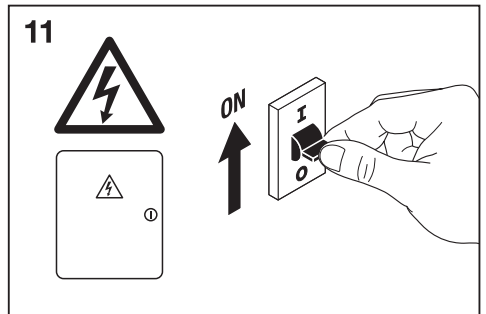
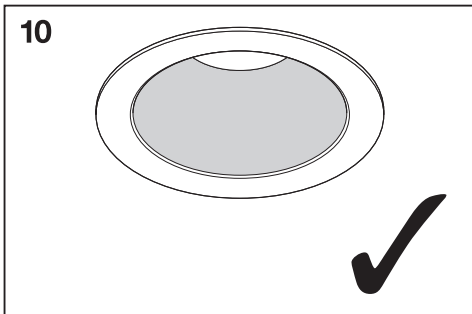
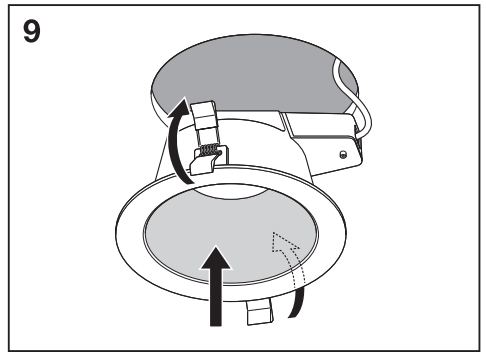
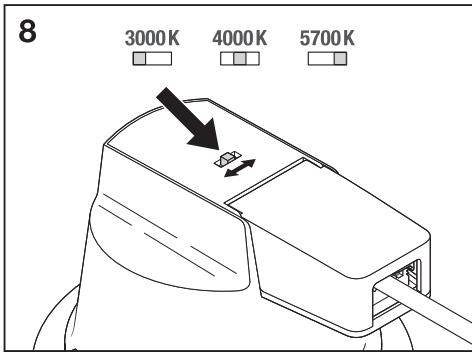
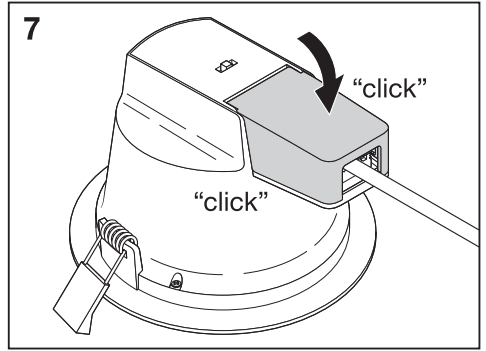
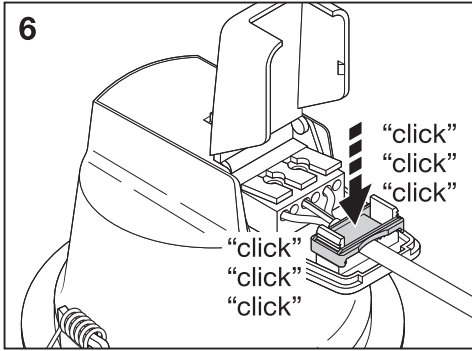
	EAN	IP	IK	Δ (°C)	V _{AC}	Hz	∠	PF	R _a	👤
DOWNLIGHT COMFORT DN130	4058075104068	54 / 20	03	-20...+45	100-277V	50/60 Hz	60°	≥ 0.9	> 80	0.3 kg
DOWNLIGHT COMFORT DN155	4058075104082	54 / 20	03	-20...+45	100-277V	50/60 Hz	60°	≥ 0.9	> 80	0.4 kg
DOWNLIGHT COMFORT DN205	4058075104105	54 / 20	03	-20...+45	100-277V	50/60 Hz	60°	≥ 0.9	> 80	0.6 kg

DOWNLIGHT COMFORT



DOWNLIGHT COMFORT





C10449057
G11032732
02.03.18



LEDVANCE GmbH
Steinerne Furt 62
86167 Augsburg, Germany
www.ledvance.com