

# PRODUCT FAMILY DATASHEET

## OUTDOOR FACADE EDGE

Slim LED luminaires with high light output and optional sensor



---

### AREAS OF APPLICATION

- Outdoor
- Building facades
- Entrance lighting
- Gardens, balconies and other outdoor areas

---

### PRODUCT BENEFITS

- Energy-efficient thanks to LED technology
- 5 years guarantee
- Easy and quick installation
- Homogeneous light output

---

### PRODUCT FEATURES

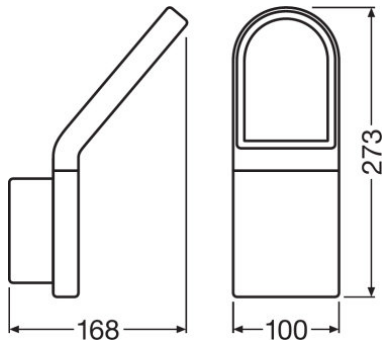
- Very bright and functional outdoor LED luminaires
- Type of protection: IP54
- Die-cast aluminum housing
- Available with and without motion sensor
- Available in two housing colors: white and dark gray
- Diffuser made of opal polycarbonate with clear glass cover



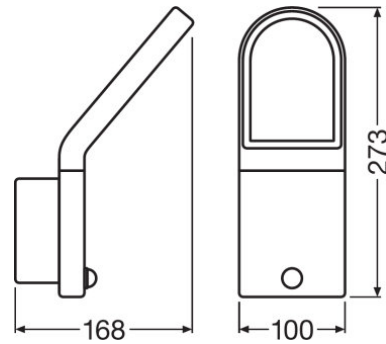
TECHNICAL DATA

| Product description                        | Electrical data | Photometric data | Light technical data | Dimensions & weight |          |          |                | Colors & materials |               | Temperatures & operating conditions | Lifespan                   |
|--|-----------------|------------------|----------------------|---------------------|----------|----------|----------------|--------------------|---------------|-------------------------------------|----------------------------|
|  | Nominal wattage | Luminous flux    | Beam angle           | Length              | Width    | Height   | Product weight | Product color      | Housing color | Ambient temperature range           | Number of switching cycles |
| O FACADE EDGE 12 W 3000 K IP54 GY          | 12.00 W         | 740 lm           | 110 °                | 168.0 mm            | 100.0 mm | 273.0 mm | 1300.00 g      | Gray               | Gray          | -20...+40 °C                        | 15000                      |
| O FACADE EDGE 12 W 3000 K IP54 WT          | 12.00 W         | 770 lm           | 107.00 °             | 168.0 mm            | 100.0 mm | 273.0 mm | 1300.00 g      | White              | White         | -20...+40 °C                        | 15000                      |
| O FACADE EDGE SENSOR 12 W 3000 K IP54 S GY | 12.20 W         | 740 lm           | 107.00 °             | 168.0 mm            | 100.0 mm | 273.0 mm | 1300.00 g      | Gray               | Gray          | -20...+40 °C                        | 15000                      |
| O FACADE EDGE SENSOR 12 W 3000 K IP54 S WT | 12.20 W         | 770 lm           | 107.00 °             | 168.0 mm            | 100.0 mm | 273.0 mm | 1300.00 g      | White              | White         | -20...+40 °C                        | 15000                      |

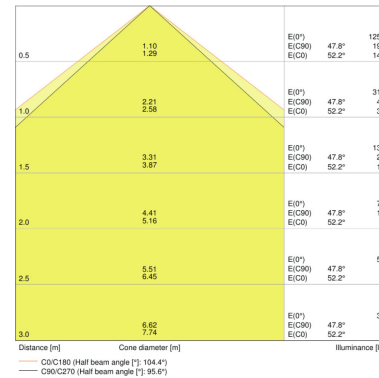
| Product description                        | Lifespan L70/B50 at 25 °C | Capabilities |
|--|---------------------------|--------------|
|  |                           | Dimmable     |
| O FACADE EDGE 12 W 3000 K IP54 GY          | 30000 h                   | No           |
| O FACADE EDGE 12 W 3000 K IP54 WT          | 30000 h                   | No           |
| O FACADE EDGE SENSOR 12 W 3000 K IP54 S GY | 30000 h                   | No           |
| O FACADE EDGE SENSOR 12 W 3000 K IP54 S WT | 30000 h                   | No           |



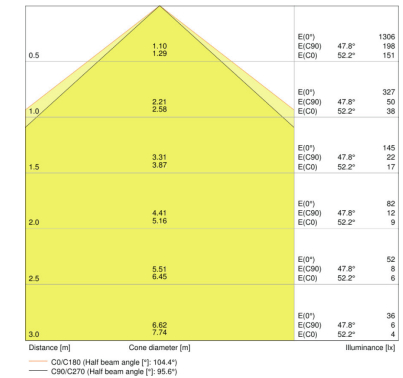
O FACADE EDGE 12 W 3000 K IP54 GY,  
O FACADE EDGE 12 W 3000 K IP54 WT



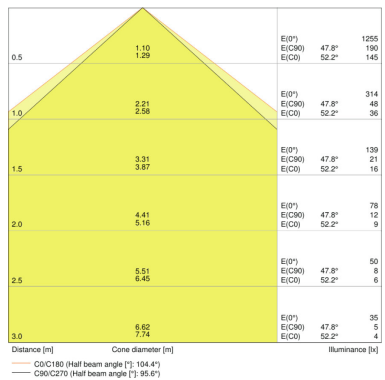
O FACADE EDGE SENSOR 12 W 3000 K  
IP54 S GY, O FACADE EDGE SENSOR 12  
W 3000 K IP54 S WT



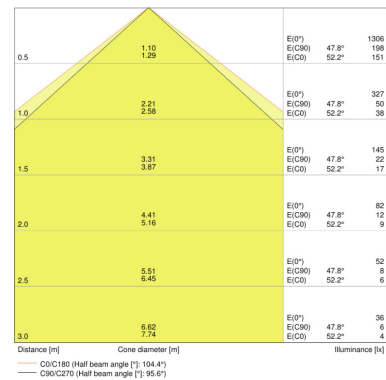
O FACADE EDGE 12 W 3000 K IP54 GY



O FACADE EDGE 12 W 3000 K IP54 WT



O FACADE EDGE SENSOR 12 W 3000 K  
IP54 S GY



O FACADE EDGE SENSOR 12 W 3000 K  
IP54 S WT

---

**EQUIPMENT / ACCESSORIES**

- Complete mounting and connecting accessories included

---

**APPLICATION ADVICE**

For more detailed application information and graphics please see product datasheet.

---

**LOGISTICAL DATA**

| Product code  | Packaging unit (Pieces/Unit) | Dimensions (length x width x height) | Gross weight | Volume                |
|---------------|------------------------------|--------------------------------------|--------------|-----------------------|
| 4058075074767 | Shipping carton box<br>4     | 425 mm x 285 mm x 315 mm             | 5822.00 g    | 38.15 dm <sup>3</sup> |
| 4058075074781 | Shipping carton box<br>4     | 425 mm x 285 mm x 315 mm             | 5822.00 g    | 38.15 dm <sup>3</sup> |
| 4058075074804 | Shipping carton box<br>4     | 425 mm x 285 mm x 315 mm             | 5822.00 g    | 38.15 dm <sup>3</sup> |
| 4058075074828 | Shipping carton box<br>4     | 425 mm x 285 mm x 315 mm             | 5822.00 g    | 38.15 dm <sup>3</sup> |

The mentioned product code describes the smallest quantity unit which can be ordered. One shipping unit can contain one or more single products. When placing an order, for the quantity please enter single or multiples of a shipping unit.

---

**REFERENCES / LINKS**

For Guarantee see

- ▶ [www.ledvance.com/guarantee](http://www.ledvance.com/guarantee)

---

**DISCLAIMER**

Subject to change without notice. Errors and omission excepted. Always make sure to use the most recent release.