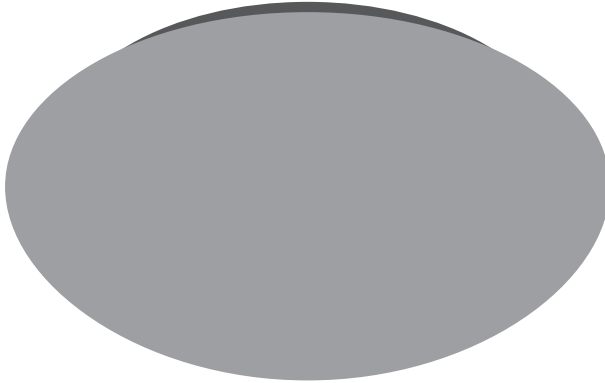




## SURFACE CIRCULAR

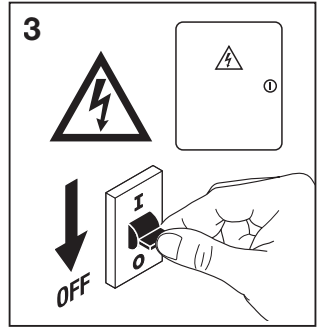
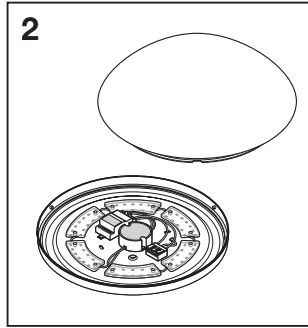
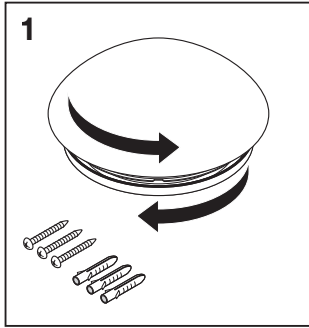
## SURFACE CIRCULAR SENSOR



	EAN	Ø x h [mm]	W	lm	lm/W	K	IP	IK
SF CIRCULAR 250 13W/3000K	4058075110120	250x91	13	920	70	3000	44	03
SF CIRCULAR 250 13W/4000K	4058075110144	250x91	13	960	75	4000	44	03
SF CIRCULAR 250 13W/3000K S	4058075314894	250x91	13	920	70	3000	44	03
SF CIRCULAR 250 13W/4000K S	4058075314917	250x91	13	960	75	4000	44	03
SF CIRCULAR 350 18W/3000K	4058075080010	350x115	18	1440	80	3000	44	03
SF CIRCULAR 350 18W/4000K	4058075080034	350x115	18	1440	80	4000	44	03
SF CIRCULAR 350 18W/3000K S	4058075314931	350x115	18	1440	80	3000	44	03
SF CIRCULAR 350 18W/4000K S	4058075314955	350x115	18	1440	80	4000	44	03
SF CIRCULAR 400 24W/3000K	4058075080058	400x120	24	1920	80	3000	44	03
SF CIRCULAR 400 24W/4000K	4058075080072	400x120	24	1920	80	4000	44	03
SF CIRCULAR 400 24W/3000K S	4058075314979	400x120	24	1920	80	3000	44	03
SF CIRCULAR 400 24W/4000K S	4058075314993	400x120	24	1920	80	4000	44	03

	EAN	°C	V <sub>AC</sub>	Hz	∠	PF	R <sub>a</sub>	⚙️
SF CIRCULAR 250 13W/3000K	4058075110120	-20...+40	220-240V	50/60Hz	120°	> 0.5	> 80	0.3 kg
SF CIRCULAR 250 13W/4000K	4058075110144	-20...+40	220-240V	50/60Hz	120°	> 0.5	> 80	0.3 kg
SF CIRCULAR 250 13W/3000K S	4058075314894	-20...+40	220-240V	50/60Hz	120°	> 0.5	> 80	0.3 kg
SF CIRCULAR 250 13W/4000K S	4058075314917	-20...+40	220-240V	50/60Hz	120°	> 0.5	> 80	0.3 kg
SF CIRCULAR 350 18W/3000K	4058075080010	-20...+40	220-240V	50/60Hz	120°	> 0.5	> 80	0.6 kg
SF CIRCULAR 350 18W/4000K	4058075080034	-20...+40	220-240V	50/60Hz	120°	> 0.5	> 80	0.6 kg
SF CIRCULAR 350 18W/3000K S	4058075314931	-20...+40	220-240V	50/60Hz	120°	> 0.5	> 80	0.7 kg
SF CIRCULAR 350 18W/4000K S	4058075314955	-20...+40	220-240V	50/60Hz	120°	> 0.5	> 80	0.7 kg
SF CIRCULAR 400 24W/3000K	4058075080058	-20...+40	220-240V	50/60Hz	120°	> 0.5	> 80	0.7 kg
SF CIRCULAR 400 24W/4000K	4058075080072	-20...+40	220-240V	50/60Hz	120°	> 0.5	> 80	0.7 kg
SF CIRCULAR 400 24W/3000K S	4058075314979	-20...+40	220-240V	50/60Hz	120°	> 0.5	> 80	0.8 kg
SF CIRCULAR 400 24W/4000K S	4058075314993	-20...+40	220-240V	50/60Hz	120°	> 0.5	> 80	0.8 kg

**SURFACE CIRCULAR / SURFACE CIRCULAR SENSOR**



**IP44**

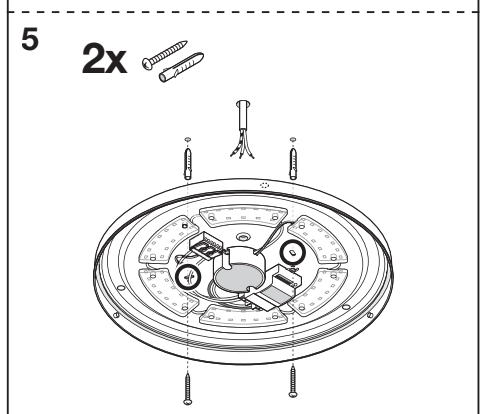
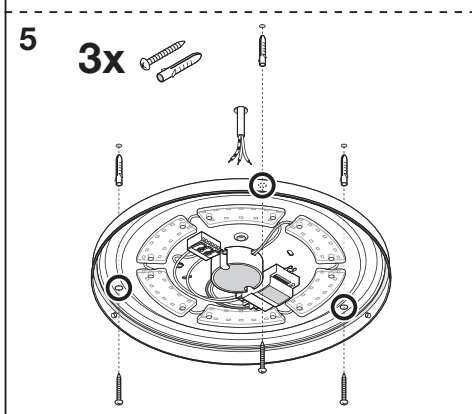
**4**

[mm]	d
SURFACE CIRCULAR 250	157
SURFACE CIRCULAR 350	223
SURFACE CIRCULAR 400	266

**IP20**

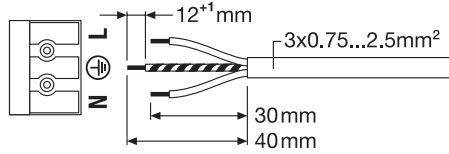
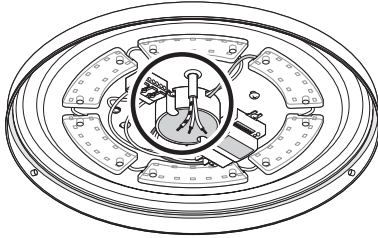
**4**

[mm]	s
SURFACE CIRCULAR 250	110
SURFACE CIRCULAR 350	95
SURFACE CIRCULAR 400	130

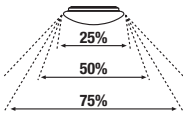
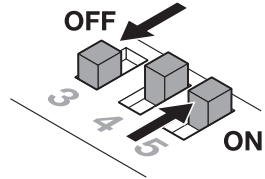
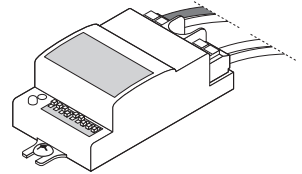
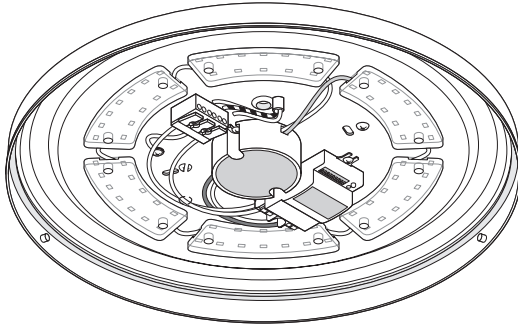


**SURFACE CIRCULAR / SURFACE CIRCULAR SENSOR**

**6**



**7: SURFACE CIRCULAR SENSOR**



Detection Area

1	2	3	
ON	ON	ON	100 %
-	ON	ON	75 %
ON	-	ON	50 %
-	-	ON	25 %
-	-	-	10 %



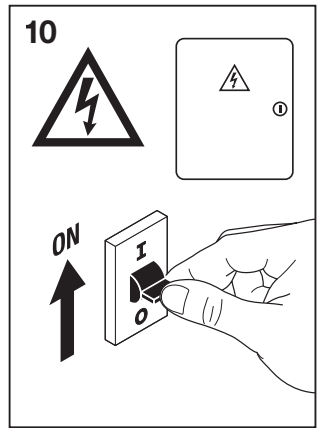
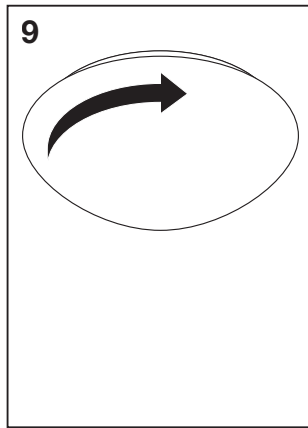
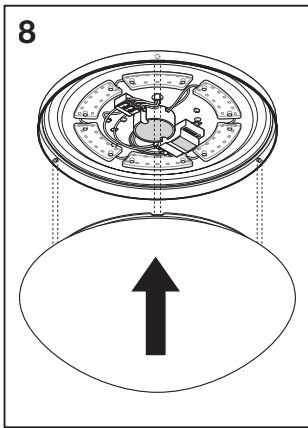
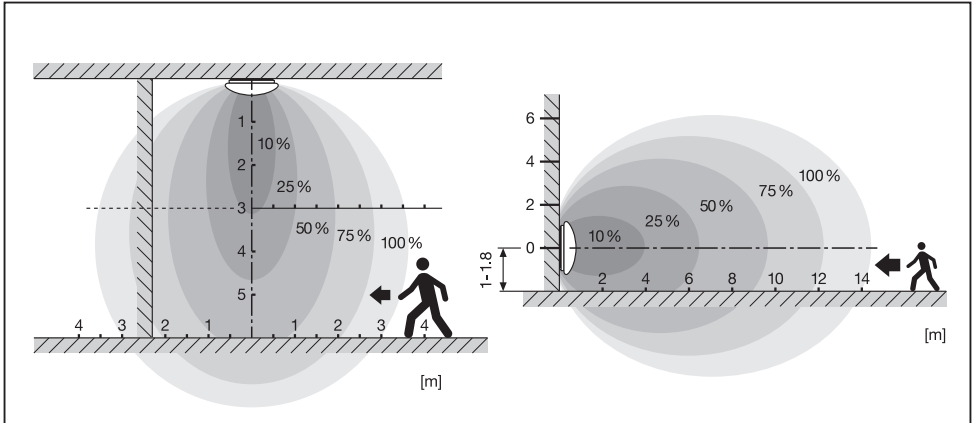
Hold Time

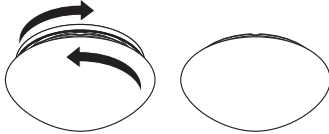
4	5	6	
ON	ON	ON	5 s
-	ON	ON	30s
ON	-	ON	90s
-	-	ON	3 min
ON	ON	-	20 min
-	-	-	30 min



Daylight Sensor

7	8	9	
ON	ON	ON	2 LUX
ON	ON	-	10 LUX
-	ON	-	25 LUX
ON	-	-	50 LUX
-	-	-	Disable



	EAN	Ø x h [mm]
SF CIRCULAR 250 COVER	4058075156722	250x80
SF CIRCULAR 350 COVER	4058075156807	350 x 104
SF CIRCULAR 400 COVER	4058075156821	400 x 112



C10449057  
G11072557  
12.04.19



LEDVANCE GmbH  
Steinerne Furt 62  
86167 Augsburg, Germany  
[www.ledvance.com](http://www.ledvance.com)