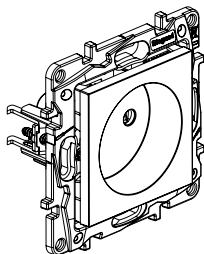
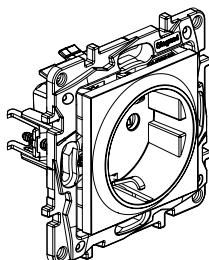


## Niloé™ Step

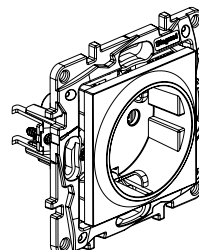
### Socket outlets - German Standard

 Cat. No(s): 8 631 19/20/21 - 8 633 19/20/21  
 8 634 19/20/21 - 8 635 19/20/21


8 63X 19



8 63X 20



8 63X 21

#### 1. USE

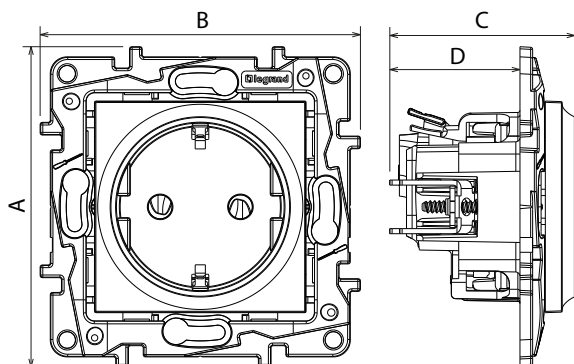
Socket outlets with or without shutters.  
 Mechanisms supplied with protection cover.  
 To be equipped with plates one or several gangs.  
 Flush-mounting or surface-mounting.  
 Screw or claw fixing.

#### 2. RANGE

| Description                     | White    | Aluminium | Grey     | Black    |
|---------------------------------|----------|-----------|----------|----------|
| 2 P socket                      | 8 631 19 | 8 633 19  | 8 634 19 | 8 635 19 |
| 2 P+E socket automatic terminal | 8 631 20 | 8 633 20  | 8 634 20 | 8 635 20 |
| 2 P+E socket screw terminal     | 8 631 21 | 8 633 21  | 8 634 21 | 8 635 21 |

## Niloé™ Step Socket outlets - German Standard

### 3. DIMENSIONS (mm)



| References | A    | B    | C    | D    |
|------------|------|------|------|------|
| 8 63X 19   | 75.8 | 75.8 | 40.8 | 30.8 |
| 8 63X 20   |      |      | 43.8 |      |
| 8 63X 21   |      |      |      |      |

### 4. CONNECTION

| References  | Type of terminals | Stripping length (mm) |
|-------------|-------------------|-----------------------|
| 8 63X 19/21 | Screw             | 9                     |
| 8 63X 20    | Automatic         | 12                    |

Capacity: 2 x 2.5 mm<sup>2</sup>  
Flexible or rigid cables compatible

### 5. TECHNICAL CHARACTERISTICS

#### ■ 5.1 Mechanical characteristics

Protection against solid bodies and liquids: IP 20  
Protection against impact: IK 04

#### ■ 5.2 Material characteristics

Material : - Mechanism housing: PC  
- Halogen free  
- UV resistant  
- Claws: steel  
Material of the support: - PC  
- Halogen free

Self-extinguishing:

- + 850° C / 30 s for insulating parts holding live parts in place
- + 650° C / 30 s for other parts made of insulating materials

#### ■ 5.3 Electrical characteristics

Voltage: 250 V~  
Current: 16 A  
Frequency: 50/60 Hz

#### ■ 5.4 Climatic characteristics

Storage and use temperature: - 5° C to + 35° C

### 6. MAINTENANCE

Surface cleaning with a cloth.  
Do not use: acetone, tar remover, trichloroethylene.

Maintenance with the following products: Hexane (EN 60669-1), Methylated spirit, Soapy water, Diluted ammonia, Bleach diluted to 10%, Window-cleaning products.

**Caution:** A preliminary test should be carried out if other specific cleaning products are to be used.

### 7. STANDARDS AND APPROVALS

Compliance with standards of installation and manufacturing.  
Refer to e. catalogue.