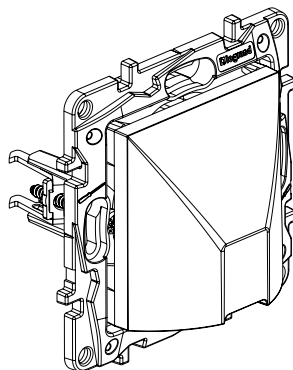


Niloé™ Step Cable outlets

 Cat. No(s): 8 631 29 - 8 633 29
 8 634 29 - 8 635 29


8 63X 29

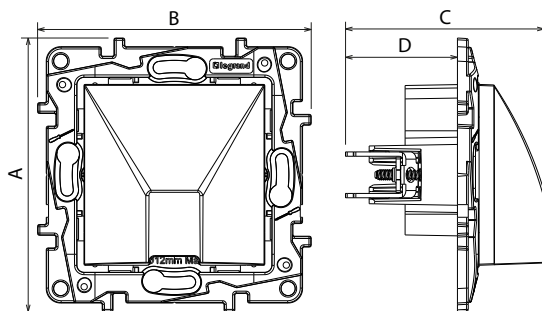
1. USE

Cable outlets.
 Mechanisms supplied with protection cover.
 To be equipped with plates one or several gangs.
 Flush-mounting or surface-mounting.
 Screw or claw mounting.

2. RANGE

Description	White	Aluminium	Grey	Black
Cable outlet	8 631 29	8 633 29	8 634 29	8 635 29

3. DIMENSIONS (mm)



References	A	B	C	D
8 63X 29	75.8	75.8	53	31

4. CONNECTION

Capacity maxi: 3 x 2.5 mm²
 Maximum diameter of the cable: 12 mm
 Flexible or rigid cables compatible

5. TECHNICAL CHARACTERISTICS

■ 5.1 Mechanical characteristics

Protection against solid bodies and liquids: IP 20
 Protection against impact: IK 04

5. TECHNICAL CHARACTERISTICS (continued)

■ 5.2 Material characteristics

Material : - Halogen free
 - UV resistant
 - Claws: steel
 Material of the support: - PC + FV
 - Halogen free

Self-extinguishing:
 + 850° C / 30 s for insulating parts holding live parts in place
 + 650° C / 30 s for other parts made of insulating materials

■ 5.3 Electrical characteristics

Voltage: 250 V~
 Current: 16A
 Frequency: 50/60 Hz

■ 5.4 Climatic characteristics

Storage temperature: - 10° C to + 70° C
 Use temperature: - 5° C to + 40° C

6. MAINTENANCE

Surface cleaning with a cloth.
 Do not use: acetone, tar remover, trichloroethylene.

Maintenance with the following products: Hexane (EN 60669-1), Methylated spirit, Soapy water, Diluted ammonia, Bleach diluted to 10%, Window-cleaning products.

Caution: A preliminary test should be carried out if other specific cleaning products are to be used.

7. STANDARDS AND APPROVALS

Compliance with standards of installation and manufacturing.
 Refer to e. catalogue.