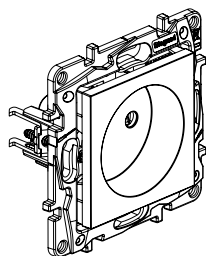
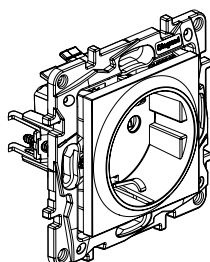


Niloé™ Step

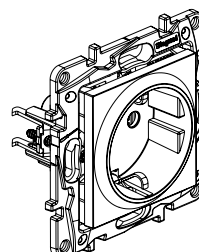
Socket outlets - German Standard

 Cat. No(s): 8 631 19/20/21 - 8 633 19/20/21
 8 634 19/20/21 - 8 635 19/20/21


8 63X 19



8 63X 20



8 63X 21

1. USE

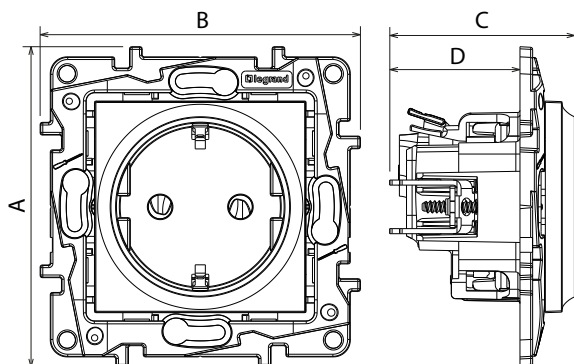
Socket outlets with or without shutters.
 Mechanisms supplied with protection cover.
 To be equipped with plates one or several gangs.
 Flush-mounting or surface-mounting.
 Screw or claw fixing.

2. RANGE

| Description | White | Aluminium | Grey | Black |
|---------------------------------|----------|-----------|----------|----------|
| 2 P socket | 8 631 19 | 8 633 19 | 8 634 19 | 8 635 19 |
| 2 P+E socket automatic terminal | 8 631 20 | 8 633 20 | 8 634 20 | 8 635 20 |
| 2 P+E socket screw terminal | 8 631 21 | 8 633 21 | 8 634 21 | 8 635 21 |

Niloé™ Step Socket outlets - German Standard

3. DIMENSIONS (mm)



| References | A | B | C | D |
|------------|------|------|------|------|
| 8 63X 19 | 75.8 | 75.8 | 40.8 | 30.8 |
| 8 63X 20 | | | 43.8 | |
| 8 63X 21 | | | | |

4. CONNECTION

| References | Type of terminals | Stripping length (mm) |
|-------------|-------------------|-----------------------|
| 8 63X 19/21 | Screw | 9 |
| 8 63X 20 | Automatic | 12 |

Capacity: 2 x 2.5 mm²
Flexible or rigid cables compatible

5. TECHNICAL CHARACTERISTICS

■ 5.1 Mechanical characteristics

Protection against solid bodies and liquids: IP 20
Protection against impact: IK 04

■ 5.2 Material characteristics

Material : - Mechanism housing: PC

- Halogen free

- UV resistant

- Claws: steel

Material of the support: - PC

- Halogen free

Self-extinguishing:

+ 850° C / 30 s for insulating parts holding live parts in place

+ 650° C / 30 s for other parts made of insulating materials

■ 5.3 Electrical characteristics

Voltage: 250 V~

Current: 16 A

Frequency: 50/60 Hz

■ 5.4 Climatic characteristics

Storage and use temperature: - 5° C to + 35° C

6. MAINTENANCE

Surface cleaning with a cloth.

Do not use: acetone, tar remover, trichloroethylene.

Maintenance with the following products: Hexane (EN 60669-1), Methylated spirit, Soapy water, Diluted ammonia, Bleach diluted to 10%, Window-cleaning products.

Caution: A preliminary test should be carried out if other specific cleaning products are to be used.

7. STANDARDS AND APPROVALS

Compliance with standards of installation and manufacturing.
Refer to e. catalogue.