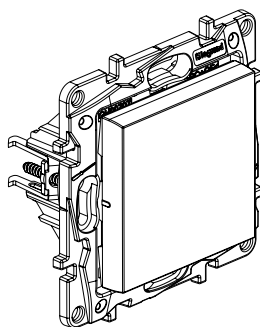


Niloé™ Step Roller Blind

Cat. No(s): 8 631 43/44 - 8 633 43/44
 8 634 43/44 - 8 635 43/44



1. USE

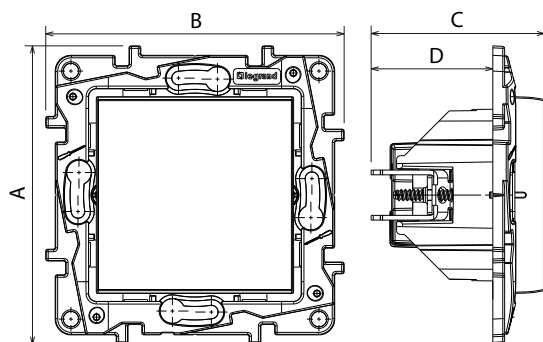
Shutter controls mechanisms 250 V~.
 Mechanisms supplied with protection cover.
 To be equipped with plates one or several gangs.
 Flush-mounting or surface-mounting.
 Screw or claw fixing.

2. RANGE

Description	White	Aluminium	Grey	Black
Roller blind push-button 6 A - 250 V~	8 631 43	8 633 43	8 634 43	8 635 43
Roller blind switch 10 AX - 250 V~	8 631 44	8 633 44	8 634 44	8 635 44

Niloé™ Step Roller Blind

3. DIMENSIONS (mm)



References	A	B	C	D
8 63X 43	75.8	75.8	44	31
8 63X 44	75.8	75.8	44	31

4. CONNECTION

Type of terminals: screws
Capacity: 2 x 2.5 mm²
Flexible or rigid cables compatible

References	Stripping length (mm)
8 63X 43	8
8 63X 44	

5. TECHNICAL CHARACTERISTICS

■ 5.1 Mechanical characteristics

Protection against solid bodies and liquids: IP 20
Protection against impact: IK 04

■ 5.2 Material characteristics

Material : - Mechanism housing: PC

- Rocker plate: ABS
- Halogen free
- UV resistant
- Claws: steel

Material of the support: - PC + FV

- Halogen free

Self-extinguishing:

- + 850° C / 30 s for insulating parts holding live parts in place
- + 650° C / 30 s for other parts made of insulating materials

■ 5.3 Electrical characteristics

Voltage: 250 V~

Current: _ 6 A for 8 63X 43

_ 10 AX for 8 63X 44

Maximum power on integrated ballast lamps: 100 W

Frequency: 50/60 Hz

■ 5.4 Climatic characteristics

Storage and use temperature: - 5° C to + 35° C

6. MAINTENANCE

Surface cleaning with a cloth.

Do not use: acetone, tar remover, trichloroethylene.

Maintenance with the following products: Hexane (EN 60669-1), Methylated spirit, Soapy water, Diluted ammonia, Bleach diluted to 10%, Window-cleaning products.

Caution: A preliminary test should be carried out if other specific cleaning products are to be used.

7. STANDARDS AND APPROVALS

Compliance with standards of installation and manufacturing.

Refer to e. catalogue.