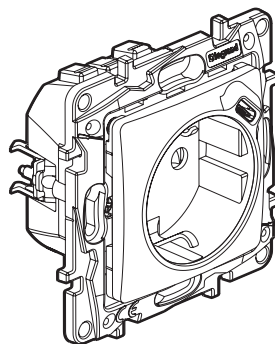


## Niloé™ Step

### 2 P+E + USB Type C mixed socket outlet

#### German Standard

Cat. Nos: 8 641 27 - 8 643 27 - 8 645 27 - 8 646 27



### 1. USE

2 P+E socket outlets with child protection.

USB Type C socket: for recharging portable devices such as phones, smartphones, tablets, MP3, MP4, loudspeakers, watches, game consoles, powerbanks.

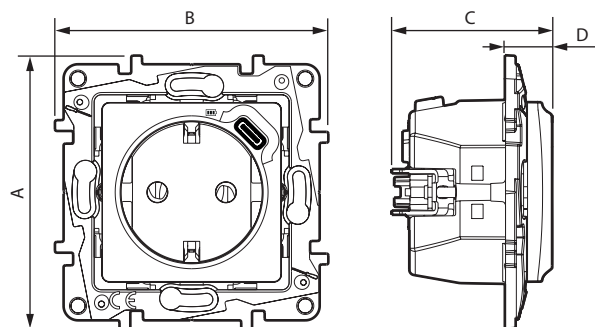
Recessed mounting in box depth 40 mm min (Multi-station compatible box).

Fixing with screws and/or claws.

### 2. RANGE

Description	White	Aluminium	Black	Sand
Mixed socket composed of: - 2 P+E socket - 16 A - 250 V~ - single USB socket - 5 V= - 1.5 A - 7.5 W Supplied with support and cover plate. German standard	8 641 27	8 643 27	8 645 27	8 646 27

### 3. DIMENSIONS (mm)



A	B	C	D
76	76	44.5	13

### 4. CONNECTION

#### ■ 4.1 2 P+E socket outlet

Type of terminals: automatics

Terminal capacity: 6 x 2.5 mm<sup>2</sup>

Stripping length: 11 mm

Flexible or rigid cables compatible

#### ■ 4.2 USB socket type C

Prewired socket

### 5. TECHNICAL CHARACTERISTICS

#### ■ 5.1 Mechanical characteristics

Protection against impact: IK 04

Protection against solid bodies and liquids: IP 40

#### ■ 5.2 Material characteristics

Mechanism casing: PC

Cover plate: PC White RAL 9003

PC Ivory

PC painted Aluminium

PC painted Anthracite

Support: PC grey RAL 7016 + metal

Claws: Steel

Halogen free

UV resistant

Self-extinguishing:

850° C / 30 s for insulating parts holding live parts in place

650° C / 30 s for other parts made of insulating materials.

#### ■ 5.3 Electrical characteristics 2 P+E socket

Voltage: 250 V~

Current: 16 A

Frequency: 50/60 Hz

#### ■ 5.4 Electrical characteristics USB socket

Integrated surge protection

All values listed below are measured at an ambient temperature of + 25° and after 15 minutes of operation.

Connector	USB Type C
Nominal input voltage	250 V~
Nominal input frequency	50-60 Hz
Nominal input current	200 mA
Standby power consumption	0.07 W - 0.075 W
Nominal output voltage	5 V=
Nominal output current	1.5 A
Efficiency can meet energy star level "VI" (≥ 76% measured at USB socket output side)	
Safety standard	EN62368-1
Protection class	II - Low voltage

#### ■ 5.5 Climatic characteristics

Storage temperature: - 10° C to + 70° C

Use temperature: - 5° C to + 35° C

## Niloé™ Step

### 2 P+E + USB Type C mixed socket outlet

### German Standard

---

#### 6. CLEANING

Surface cleaning with a cloth.  
Do not use: acetone, tar remover, trichlorethylene.

**Caution:** A preliminary test should be carried out if other specific cleaning products are to be used.

#### 7. STANDARDS AND APPROVALS

Compliant with installation and manufacturing standards.  
See e-catalogue.