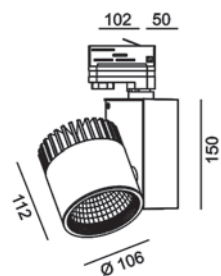


PRO 3F



Code	Product Lumen	Watt	Color T (K)	CRI	mA	Color
04.7733.53.840.WH	6910	53	4000	>80	1400	White
04.7733.53.840.BK	6910	53	4000	>80	1400	Black



MATERIAL | AL

» 94

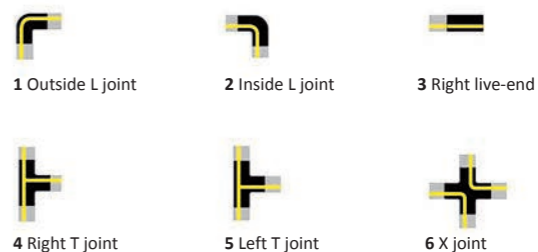
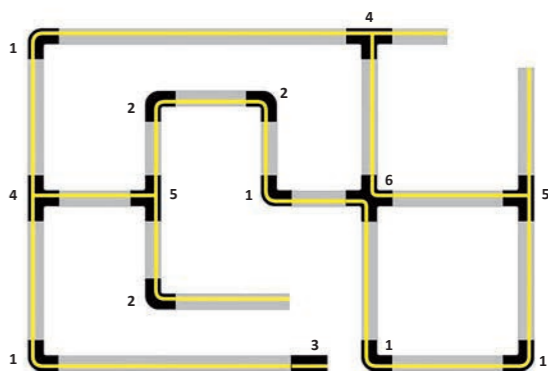
CONTINUITY OF THE EARTHING

For a correct installation of all the accessories in a three-phase track composition, the continuity of the earthing between each element has the highest importance. The earth conductors of each component must be positioned consistently.



Live-end with earth on the left L

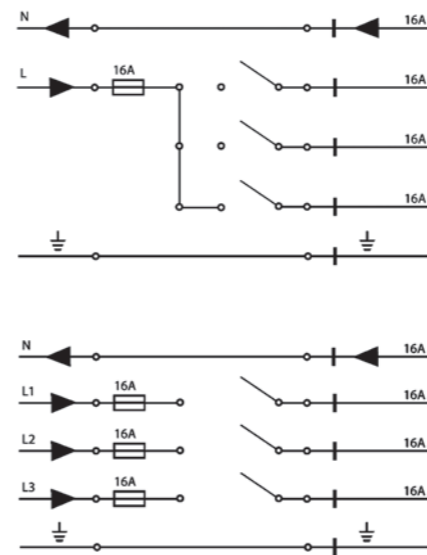
Live-end with earth on the right R



WIRING DIAGRAMS

The connections to a single phase 230/250V mains allows a total load of 16A, corresponding to 3680/4000 Watt, which can be divided among 3 circuits.

The connection to a three-phase 230/400V electricity mains allows a total load of 16A, corresponding to 11040 Watt, which can be divided among 3 circuits (3x3680 Watt).



LOAD CAPACITY

LKM three-phase tracks have a load capacity of 2 Kg every 200 mm, with a maximum distance of 800 mm between the fixing points.

