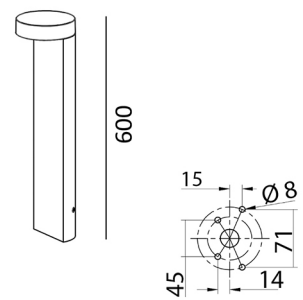


BARD4



Code	Product Lumen	Power Watt	Color T (K)	CRI	Color
08.5004.18.927.GR	617	18	2700	>90	Graphite

Ø 140



MATERIAL | AL PMMA

[i](#) » 188

