

LUCIDE

GENERAL SPECIFICATIONS

**RECOMMENDED LUCIDE
LIGHT SOURCE****49034/05/62**

Light source dimmable : Yes

Light source incl. : No

General

Dimensions LxWxH : 14.7 cm x 12.0cm x 21.8 cm

Height minimum : 21.8 cm

Height maximum : 21.8cm

Dimensions shade LxWxH :

Main material : Aluminum

Ceiling rose material :

Color : Black

Style : Modern

Shape : Cylinder

Weight : 0.88kg

Warranty : 2 years

Product specifications

Dimmable : No

Light direction : Around (Diffuse)

Adjustable in height : No

Directional : Not Directional

Cable : No

Cable length :

Sensor : With day/night sensor

Control : Light Switch Control

IP-Class : 44

Electric class : 1

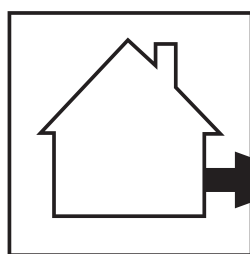
Light source including ? : No

Lamp socket : E27

Light source number : 1

Power requirements : 220-240V-50Hz

Bulb type & maximum wattage : E27 Max 15W



IP44

IP54

IP65

IP67

Explanation of IP numbers for degrees of protection, see safety instruction manual in the box.

For more specifications of this product please visit

www.lucide.com

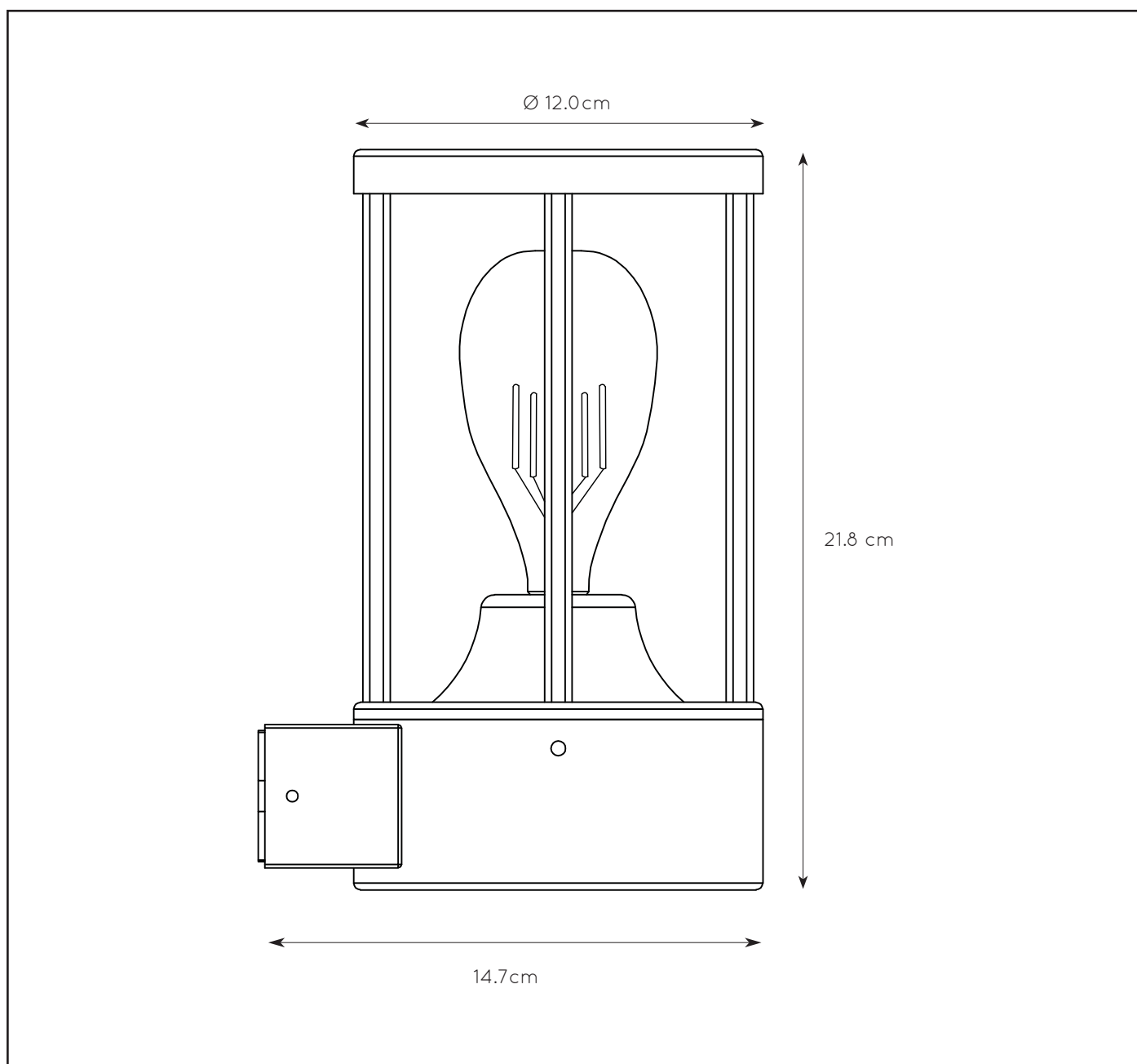
LUCIDE

TECHNICAL DRAWING & DIMENSIONS

LORI

Item number : 14893/01/30

EAN code : 5411212144300

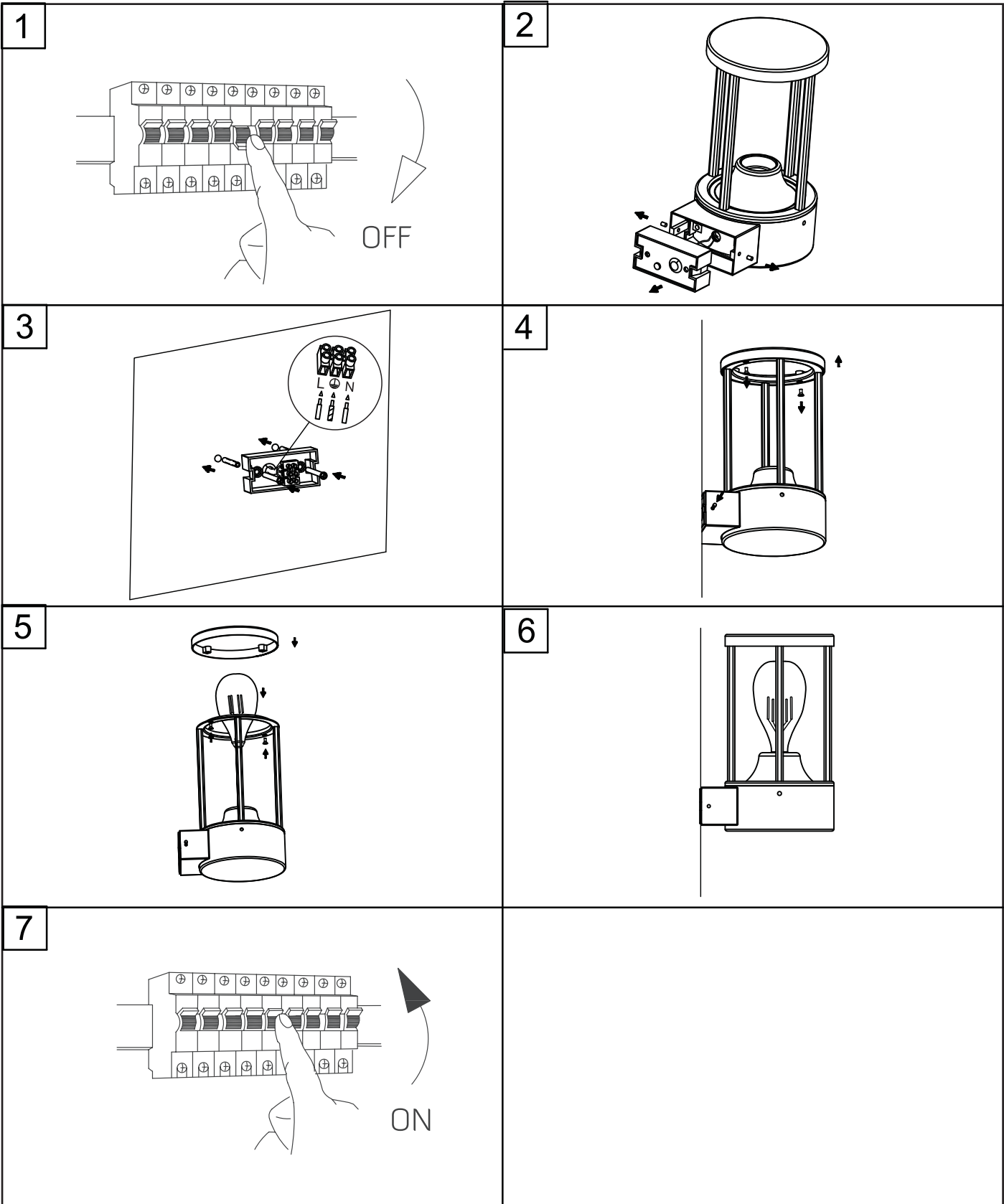


For more specifications, dimensions please visit

www.lucide.com

LUCIDE

INSTALLATION DRAWING SPECIFICATIONS



L U C I D E

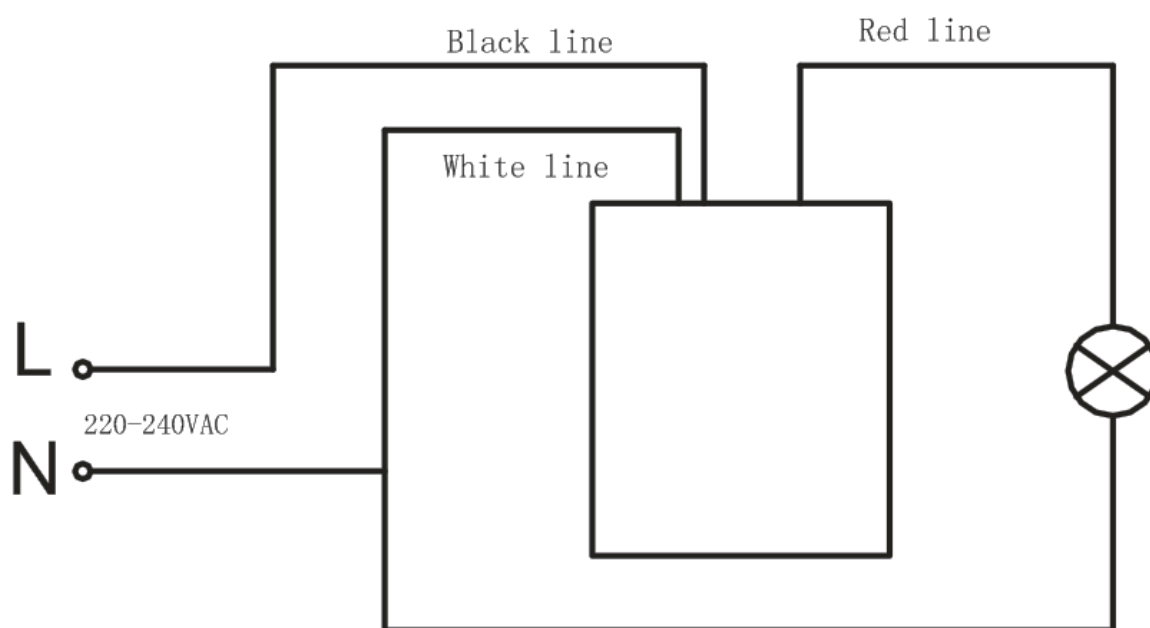
INSTALLATION DRAWING SPECIFICATIONS

Control Sensor Technique Index & Directions

Main technique index

- 1) Light control: Open-controlled: $\leq 25\text{LUX}$, Off-controlled: $30\text{-}60\text{LUX}$
- 2) Frequency: $50\text{-}60\text{Hz}$
- 3) Lighting Control Power: 100W
- 4) Voltage: $220\text{-}240\text{VAC}$
- 5) Consume power: $\leq 1.0\text{W}$

I. How to circuit Illustration:



II. Caution Please avoid installing the controller in the open air.