

LUCIDE

GENERAL SPECIFICATIONS



**RECOMMENDED LUCIDE LIGHT SOURCE**

**49009/05/36 , 49009/05/31**  
Light source dimmable : Yes. Dim to warm  
Light source incl. : Yes

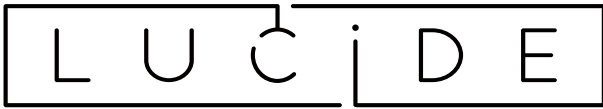
**General**

**Dimensions LxWxH :** 11.5cm x 11.5cm x 12.5cm  
**Height minimum :** N/A  
**Height maximum :** N/A  
**Dimensions shade LxWxH :** D7.4cm x 6.6cm  
**Main material :** aluminium  
**Ceiling rose material :** Iron  
**Color :** Aluminium , Sand White  
**Style :** Modern  
**Shape :** square  
**Weight :** 0.78kg  
**Warranty :** 2 years

**Product specifications**

**Dimmable :** Yes  
**Light direction :** downward  
**Adjustable in height :** No  
**Directional :** Directional  
**Cable :** Without Cable  
**Cable length :** N/A  
**Sensor :** Without Sensor  
**Control :** Light Switch Control  
**IP-Class :** IP20  
**Electric class :** 1  
**Light source including ?:** Yes  
**Lamp socket :** GU10  
**Light source number :** 1  
**Power requirements :** 220-240V~50Hz  
**Bulb type & maximum wattage :** GU10 LED MAX.5W

For more specifications of this product please visit  
[www.lucide.com](http://www.lucide.com)



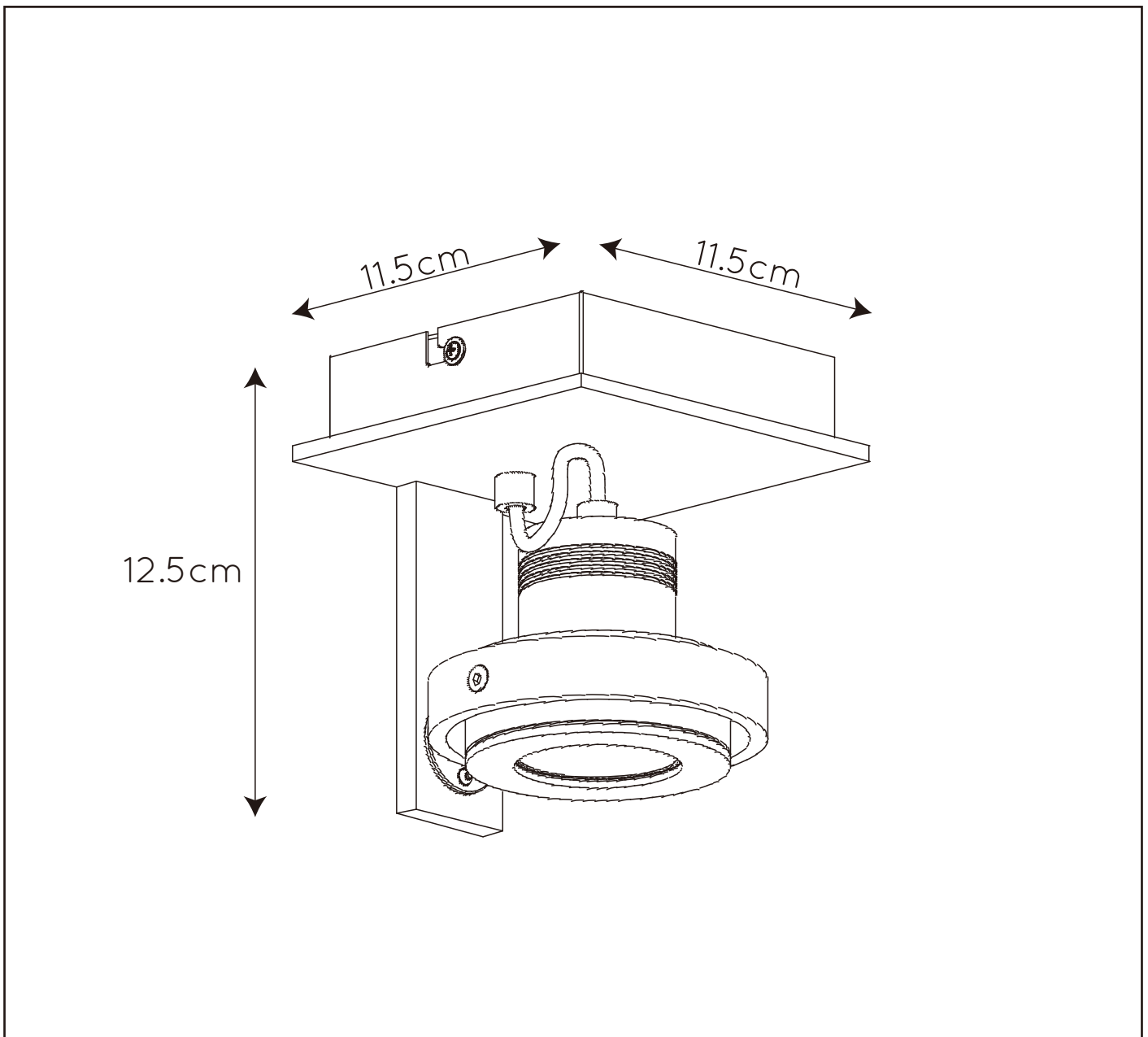
# LANDA LED

Item number : 17906/06/12

EAN code : 5411212176813

Item number : 17906/06/31

EAN code : 5411212176820

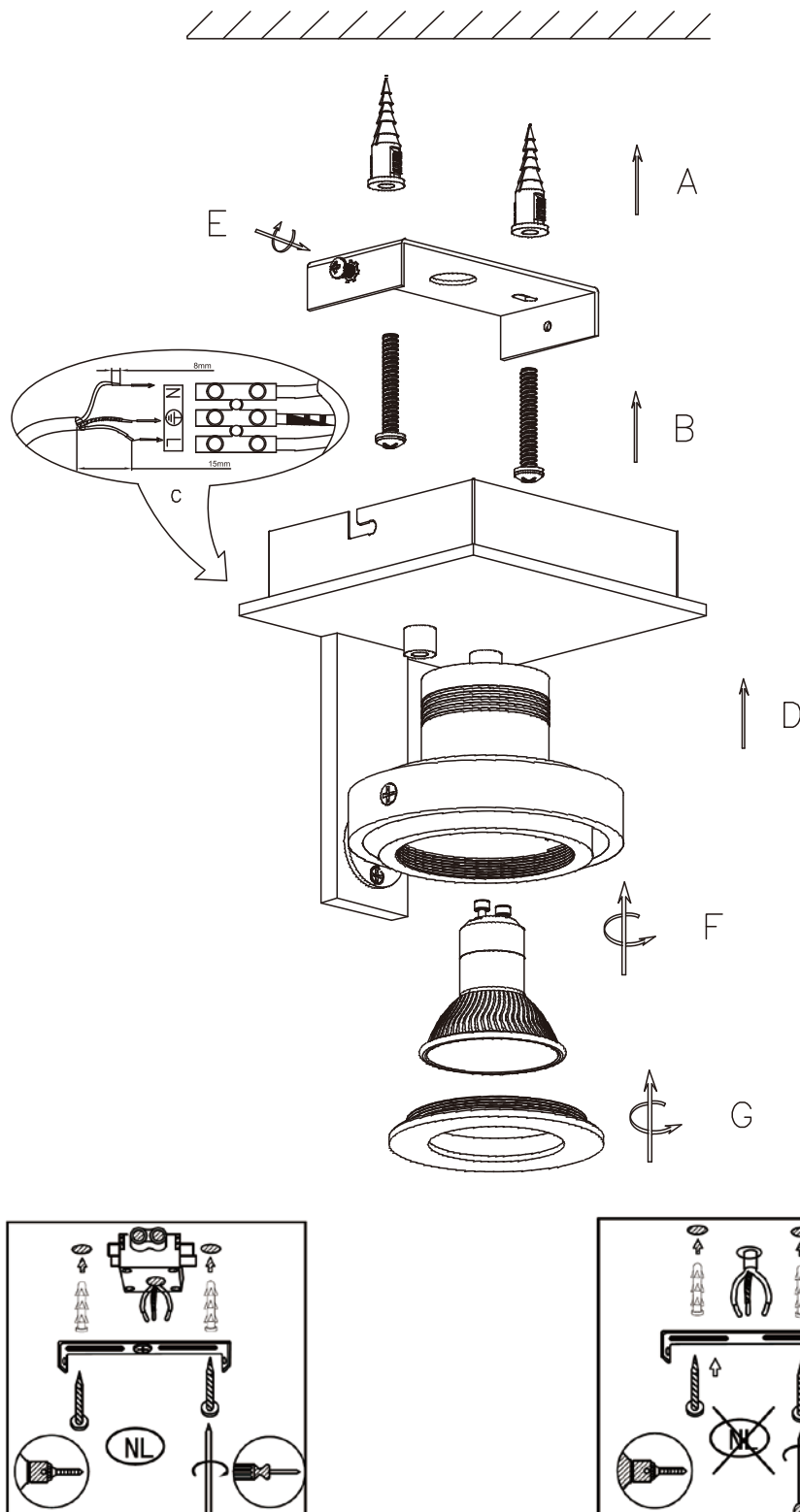


For more specifications, dimensions please visit

[www.lucide.com](http://www.lucide.com)

LUCIDE

## INSTALLATION DRAWING SPECIFICATIONS



Dit product bevat een lichtbron van energie-efficiëntieklasse G (oude klasse A+).  
 Ce produit contient une source lumineuse de classe énergétique G (ancienne classe A+).  
 This product contains a light source of energy efficiency class G (old class A+).  
 Dieses Produkt enthält eine Lichtquelle der Energieeffizienzklasse G (alte Klasse A+).  
 Ten produkt zawiera ród o wiat a o klasie efektywno ci energetycznej G (stara klasa A+).