

LUCIDE

GENERAL SPECIFICATIONS



**RECOMMENDED LUCIDE  
LIGHT SOURCE**

**49041/12/30**

**Light source dimmable :** Yes Dim to warm

**Light source incl. :** Yes

**General**

**Dimensions LxWxH :** 32 cm x 13.3 cm x 16.0 cm  
**Height minimum :**  
**Height maximum :** 16.0 cm  
**Dimensions shade LxWxH :** 13.3 cm x 13.3 cm x 10.0 cm  
**Main material :** Aluminium  
**Ceiling rose material :** Metal  
**Color :** Black,White  
**Style :** Modern  
**Shape :** Rectangle  
**Weight :** 1.7 kgs  
**Warranty :** 2 years

**Product specifications**

**Dimmable :** Yes Dim to warm  
**Light direction :** Around (Diffuse)  
**Adjustable in height :** Not In Height Adjustable  
**Directional :** Rotatable & Tilttable (360 Degrees)  
**Cable :** No  
**Cable length :**  
**Sensor :** Without Sensor  
**Control :** Light Switch Control  
**IP-Class :** 20  
**Electric class :** 1  
**Light source including ?:** Yes  
**Lamp socket :** GU10  
**Light source number :** 2  
**Power requirements :** 220-240V-50Hz  
**Bulb type & maximum wattage :** GU10 Max.50W  
(GU10 12W LED Incl.)

For more specifications of this product please visit

[www.lucide.com](http://www.lucide.com)

LUCIDE

TECHNICAL DRAWING & DIMENSIONS

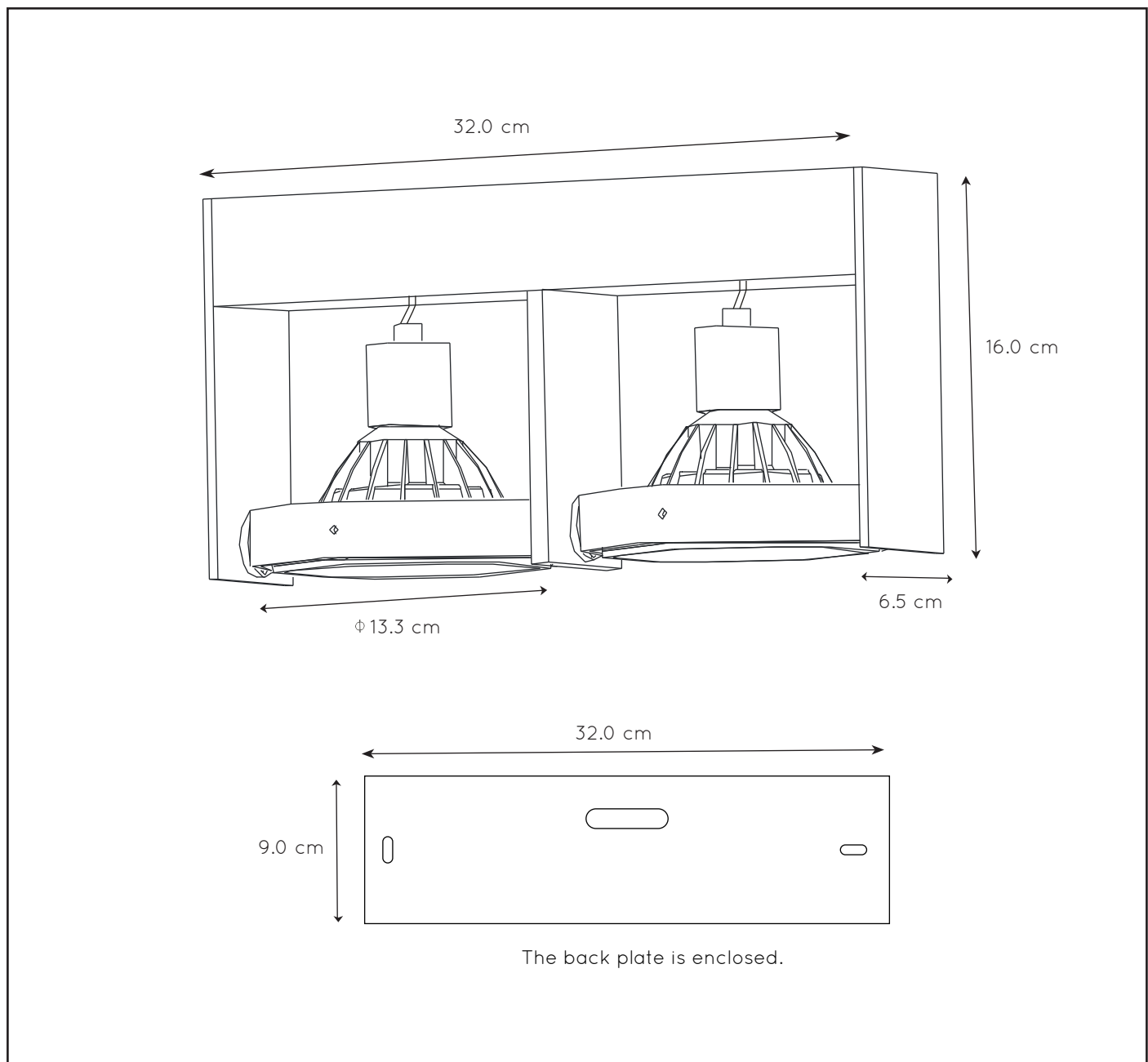
## GRIFFON

Item number : 22969/24/30

EAN code : 5411212221339

Item number : 22969/24/31

EAN code : 5411212221346



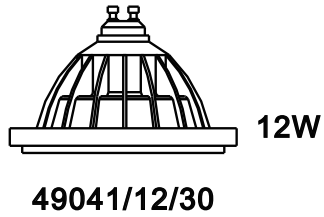
For more specifications, dimensions please visit

[www.lucide.com](http://www.lucide.com)

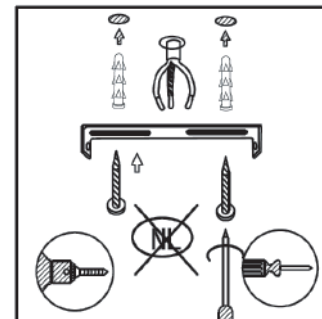
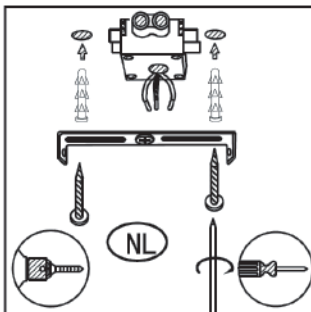
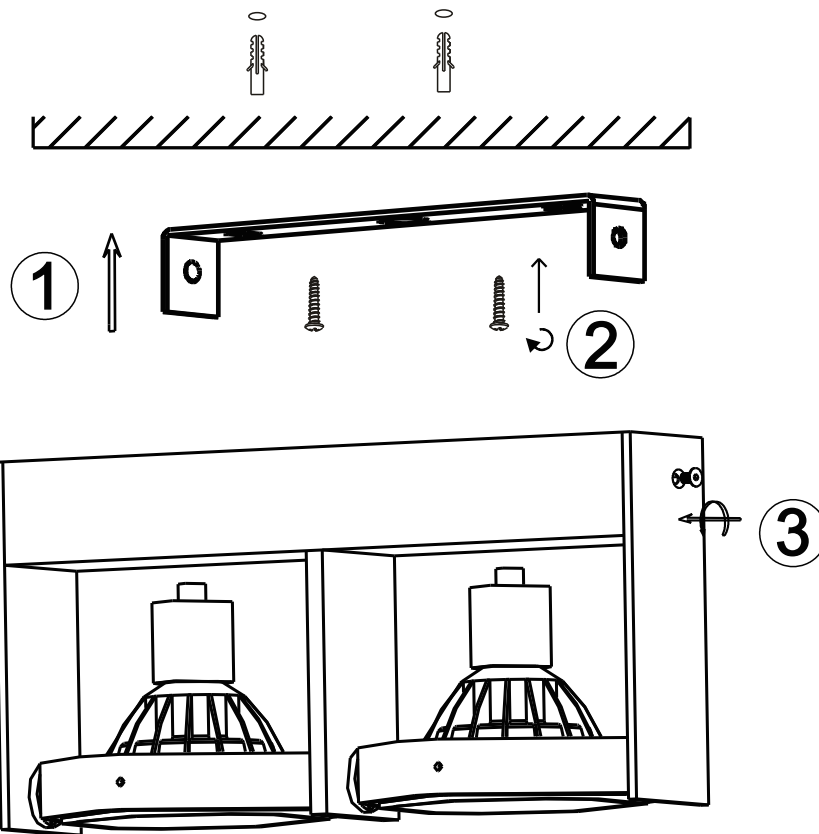
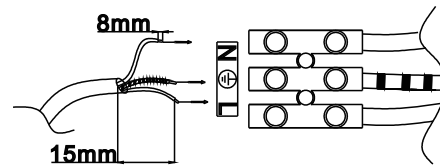
LUCIDE

## INSTALLATION DRAWING SPECIFICATIONS

## NORMAL INSTALLATION



## Electrical Supply

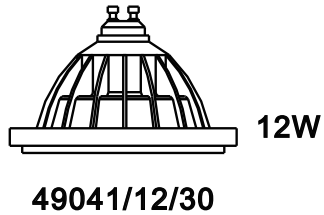


Dit product bevat een lichtbron van energie-efficiëntieklasse G (oude klasse A).  
 Ce produit contient une source lumineuse de classe énergétique G (ancienne classe A).  
 This product contains a light source of energy efficiency class G (old class A).  
 Dieses Produkt enthält eine Lichtquelle der Energieeffizienzklasse G (alte Klasse A).  
 Ten produkt zawiera źródło światła o klasie efektywności energetycznej G (stara klasa A).

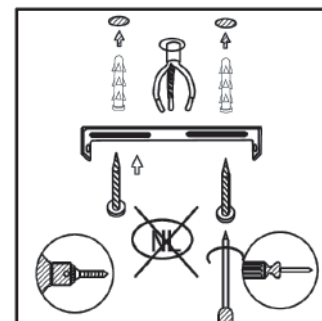
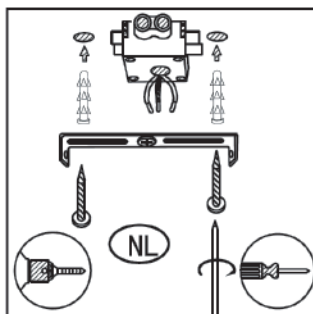
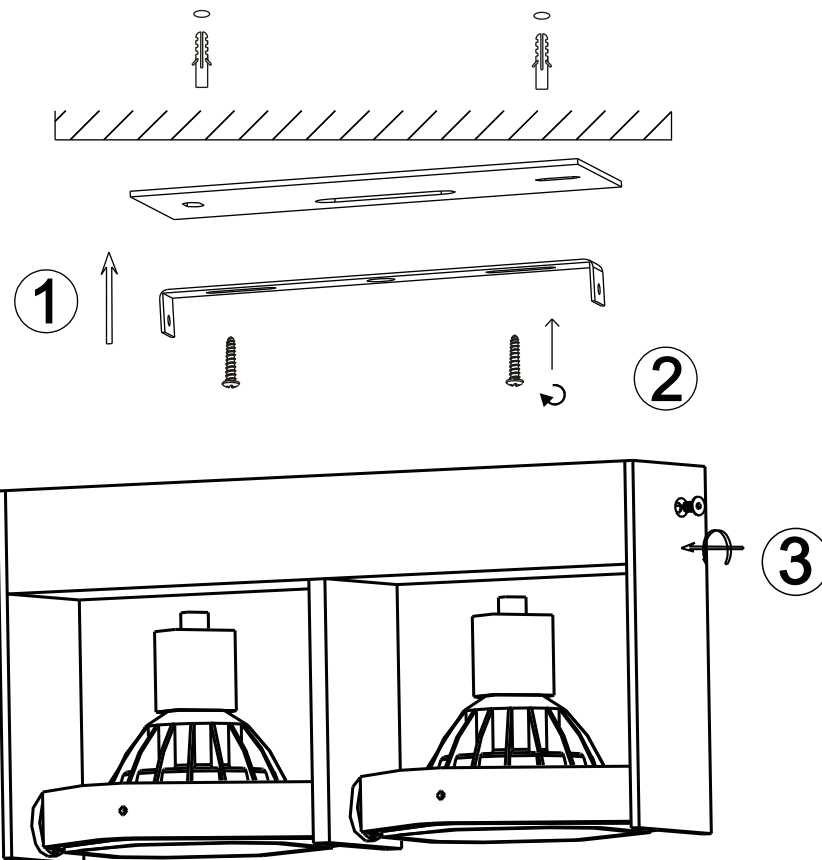
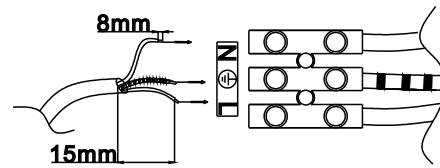
LUCIDE

## INSTALLATION DRAWING SPECIFICATIONS

## INSTALLATION WITH ENCLOSED BACK PLATE



## Electrical Supply



Dit product bevat een lichtbron van energie-efficiëntieklasse G (oude klasse A).  
 Ce produit contient une source lumineuse de classe énergétique G (ancienne classe A).  
 This product contains a light source of energy efficiency class G (old class A).  
 Dieses Produkt enthält eine Lichtquelle der Energieeffizienzklasse G (alte Klasse A).  
 Ten produkt zawiera źródło światła o klasie efektywności energetycznej G (stara klasa A).