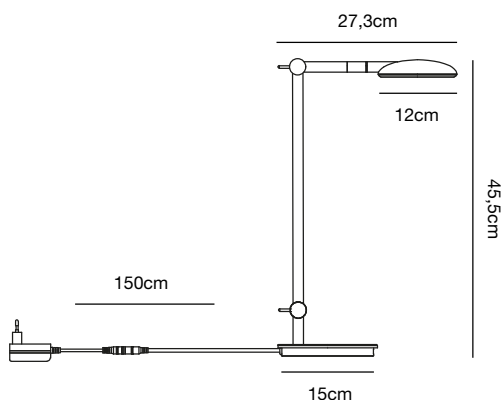


## Bend Table

<b>Masterbox</b>	Qty 2
<b>Size</b>	H: 45,5 cm, W: 15 cm, L: 27,3 cm, Shade Ø: 12 cm, Pipe Ø: 1,6 cm, Base Ø: 15 cm, Tilt angle: 60°
<b>Material</b>	Metal/Aluminium
<b>IP Class</b>	IP20, Class 3
<b>Cable</b>	Textile cable: Black 150 cm non replaceable
<b>Light source</b>	Fixed LED, Incl. 5W LED, Incl. Touch, Lumen 480, Kelvin 2700, Life hours 20.000, RA 80, Beam angle 110°,

### Features

Scandinavian minimalistic design  
Moodmaker™ Touch dimmable on fixture  
Adjustable arm and turn of lamp head for a directional light  
5 year LED guarantee  
USB port for charging your phone or other device



## Bend Floor

<b>Masterbox</b>	Qty 2
<b>Size</b>	H: 135 cm, W: 25 cm, L: 36,8 cm, Shade Ø: 12 cm, Pipe Ø: 1,6 cm, Base Ø: 25 cm, Tilt angle: 60°
<b>Material</b>	Metal/Aluminium
<b>IP Class</b>	IP20, Class 3
<b>Cable</b>	Textile cable: Black 150 cm non replaceable
<b>Light source</b>	Fixed LED, Incl. 5W LED, Incl. Touch, Lumen 410, Kelvin 2700, Life hours 20.000, RA 80, Beam angle 110°,

### Features

Scandinavian minimalistic design  
Moodmaker™ Touch dimmable on fixture  
Adjustable arm and turn of lamp head for a directional light  
5 year LED guarantee

