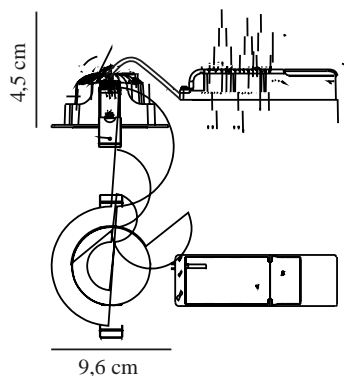


ALIKI | DOWNLIGHT | BLACK

2310320003

nordlux[®]

Voltage (V): 220-240 Volt
 IP degree: IP44
 Class (Class 1, Class 2, Class 3):
 Class 2 (Double isolated)
 Socket type: LED Module
 Parallel connection: True

Primary material: Aluminium
 Secondary material: Plastic
 Colour of the cable: Black
 Length of the cable (cm): 24
 Surface material of the cable:
 Plastic
 Is the cable replaceable: False
 Colour: Black

Height (cm): 4.5
 Mount directly into insulation: True
 Tilt Angle (°): 20
 EAN: 5704924016462
 TUN: 2334597
 Item Number: 2310320003

Pcs Per Master Carton: 6
 Sales Box Height (cm): 7.5
 Sales Box Width(cm): 13.5
 Sales Box Depth (cm): 11.5
 Sales Box Volume m³ : 0.0012
 Product net weight (kg): 0.29

Brightness of light (Lumen): 580
 Colour temperature (Kelvin): 2700
 Ra-value : 90
 Lifetime (hours): 40000
 Beam angle (°) : 38
 Candela (cd) (for directional lamp only): 1200
 Actual watt (W): 8

- Suitable for the bathroom (IP44) • Long LED lifespan (40,000 hours) • Natural light (RA90)
- Directional light (20° tilt) • Can be mounted directly into insulation • 5-year LED guarantee

Aliki is a downlight with an integrated LED that provides a pleasant, natural light. It has a high IP rating (IP44) that makes it perfect for the bathroom and a long service life of 40,000 hours. The light can be tilted in whichever direction you choose.

