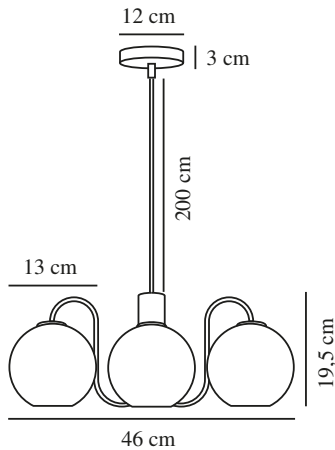


FRANCA | PENDANT | BRASS

2312543035

nordlux®



Voltage (V): 220-240 Volt
 IP degree: IP20
 Maximum bulb wattage (W):
 4*40W
 Class (Class 1, Class 2, Class 3):
 Class 2 (Double isolated)
 Socket type: E14
 Parallel connection: False

Primary material: Metal
 Secondary material: Glass
 Colour of the cable: White
 Length of the cable (cm): 200
 Surface material of the cable:
 Textile
 Is the cable replaceable: False
 Colour: Brass

Height (cm): 19.5
 Width (cm): 46
 Shade Diameter (cm): 13
 Outdoor base dimension (cm): 12
 Length (cm): 46
 Mount directly into insulation:
 False

EAN: 5704924015892
 TUN: 2326284
 Item Number: 2312543035

Pcs Per Master Carton: 3
 Sales Box Height (cm): 30
 Sales Box Width(cm): 38
 Sales Box Depth (cm): 23
 Sales Box Volume m³ : 0.0262
 Product net weight (kg): 1.8

- A classic vintage design • Beautiful glossy glass paired with shiny brass
- A reinterpretation of the classic chandelier • Provides a soft, diffused light

The Franca series has an exclusive and elegant design with beautiful glossy glass and shiny brass. The pendant draws inspiration from the classic chandelier and incorporates vintage details with a modern twist. The white glass domes create a soft and diffused light.

The glass in this lamp is mouth-blown and has been individually hand crafted. Due to this unique process, air bubbles may appear in the glass and the thickness of the glass can also vary. This gives the glass its character and vivid appearance.