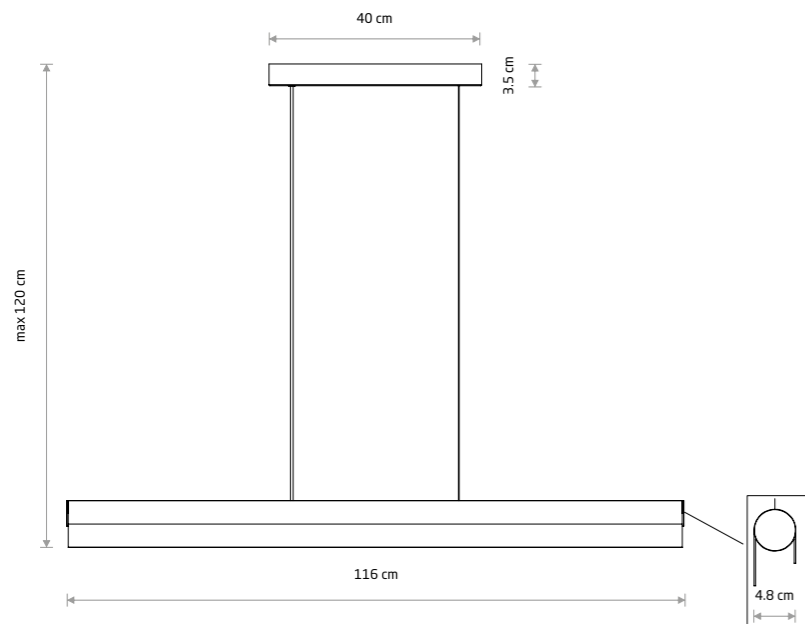


CL Q LED PRO 8254

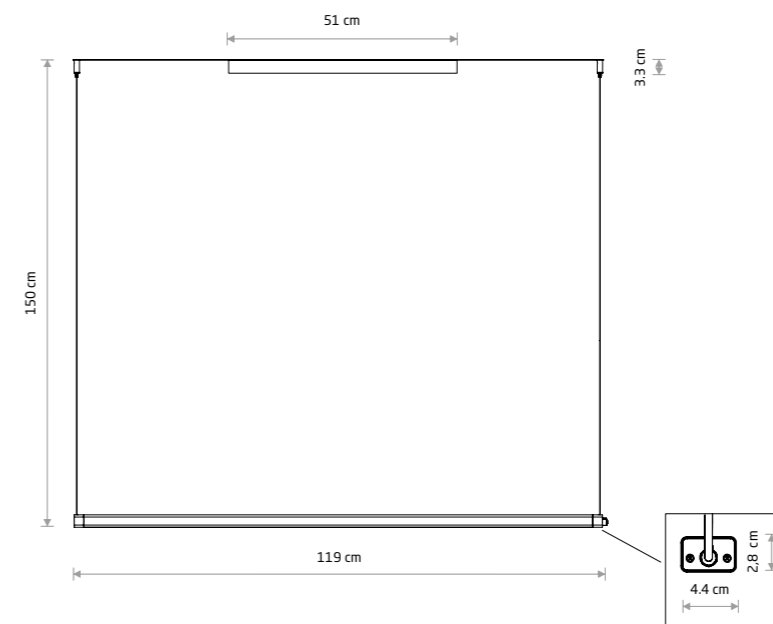


H LED 10690



**CL Q LED PRO**  
painted aluminum, plastic PMMA, painted steel

- 8253 3000K 8251 4000K
- 8254 3000K 8252 4000K



**CL H LED PRO**  
painted aluminum, plastic PC

- 10523 3000K 10524 4000K
- 10690 3000K 10691 4000K



Item No.	Power	Colour temp.	Luminous flux	Colour Rendering Index (CRI)	Input	Safety type	Ingress protection	Lifetime
8253	31W LED	3000K	2911 lm	≥ 80	~220-230 V, 50/60 Hz	⊕	IP20	50000h
8251	31W LED	4000K	3035 lm	≥ 80	~220-230 V, 50/60 Hz	⊕	IP20	50000h
8254	31W LED	3000K	1866 lm	≥ 80	~220-230 V, 50/60 Hz	⊕	IP20	50000h
8252	31W LED	4000K	1975 lm	≥ 80	~220-230 V, 50/60 Hz	⊕	IP20	50000h

Item No.	Power	Colour temp.	Luminous flux	Colour Rendering Index (CRI)	Input	Safety type	Ingress protection	Lifetime
10523	29W LED	3000K	3500 lm	≥ 80	~220-230 V, 50/60 Hz	⊕	IP20	50000h
10524	29W LED	4000K	3600 lm	≥ 80	~220-230 V, 50/60 Hz	⊕	IP20	50000h
10690	29W LED	3000K	3000 lm	≥ 80	~220-230 V, 50/60 Hz	⊕	IP20	50000h
10691	29W LED	4000K	3100 lm	≥ 80	~220-230 V, 50/60 Hz	⊕	IP20	50000h

WHITE P004 RAL 9003 BLACK P013 RAL 9005

WHITE P004 RAL 9003 BLACK P013 RAL 9005