

LUMINAIRE MODEL

**CRISTAL M  
7617**CATALOGUE GROUP  
COUNTRY OF ORIGIN**KATALOG 2022  
MADE IN POLAND**

LIGHT SOURCE **E14**  
 LIGHT SOURCES TYPE **Replaceable**  
 MAXIMUM WATTAGE **40W**  
 LAMP INCLUDES SOURCE OF LIGHT **No**  
 NUMBER OF LIGHT SOURCES **9**  
 IP **IP20**  
 PRZEZNACZENIE **Wewnętrzna**



PACKAGE DIMENSIONS (L/W/H) **57cm/57cm/30cm**

WEIGHT NETTO/BR **8kg/10,82kg**

ASSEMBLY METHOD **Direct assembly**

LEADING/SUPPLEMENTARY COLOR **Transparent, Silver**

MATERIALS **Crystal, Painted steel**

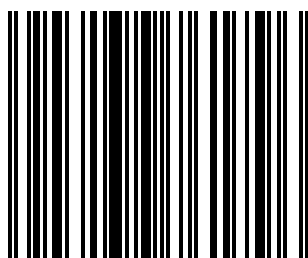
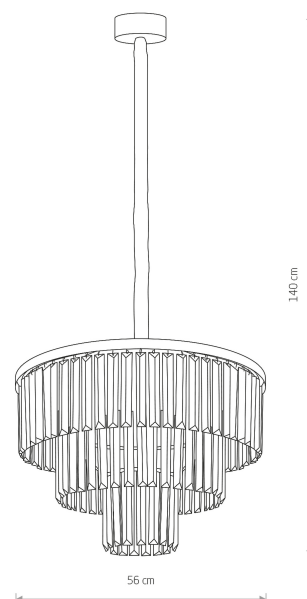
STYLE **Glamour**

ELECTRICAL SECURITY CLASS **I**

POWER SUPPLY **220-230V/50/60Hz**



DIMENSIONS



5 9 0 3 1 3 9 7 6 1 7 9 6



**Nowodvorski**  
LIGHTING

## CATALOGUE CARD

LUMINAIRE MODEL

**CRISTAL M**

7617

---

### PARAMETERS

| Item No. | POWER | COLOR TEMP | LUMEN | BEAM ANGLE | CRI | IP   | LED BRAND | DRIVER BRAND | LIFETIME | WARRANTY |
|----------|-------|------------|-------|------------|-----|------|-----------|--------------|----------|----------|
| 7617     | 40W   | —          | —     | —          | —   | IP20 | —         | —            | —        | —        |