



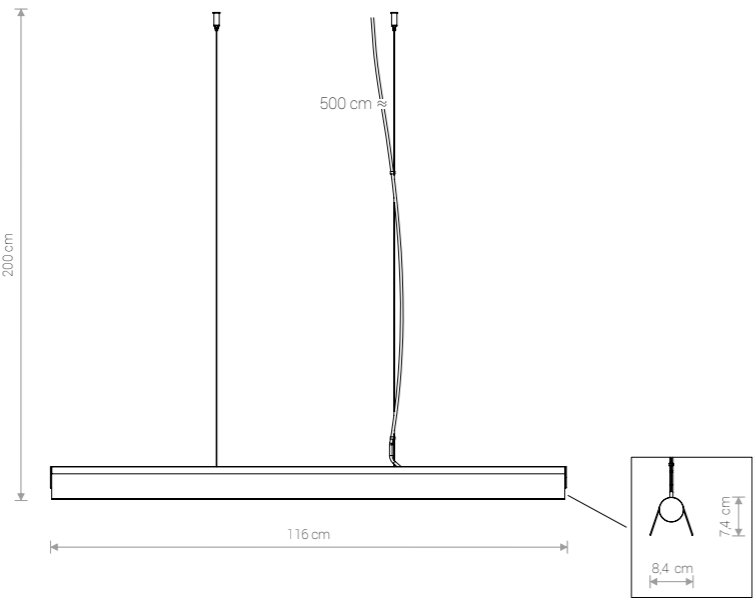
reddot design award
winner 2019



CAMELEON A LED
8451 WH



CAMELEON Q LED
8452 BL



CAMELEON A LED

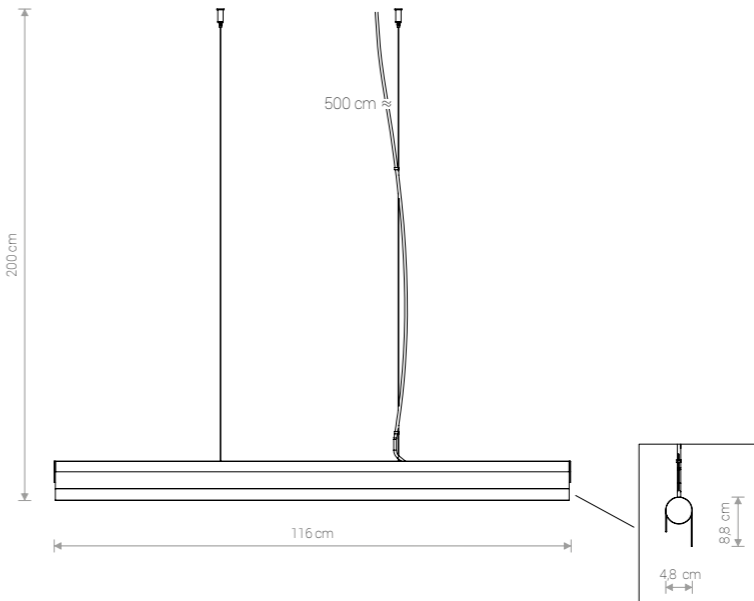
painted steel, PC / stal lakierowana, PC / лакированная сталь, PC

8451 ○ WH 8450 ● BL

36W LED

works with / zastosuj z / применять с

A (8566 WH, 8564 BL), B (8610 WH, 8608 BL)
E (8551 WH, 8550 BL), F (8548 WH, 8547 BL)



CAMELEON Q LED

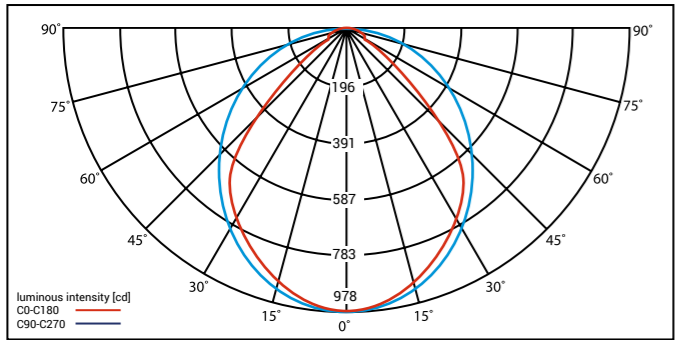
painted steel, PC / stal lakierowana, PC / лакированная сталь, PC

8453 ○ WH 8452 ● BL

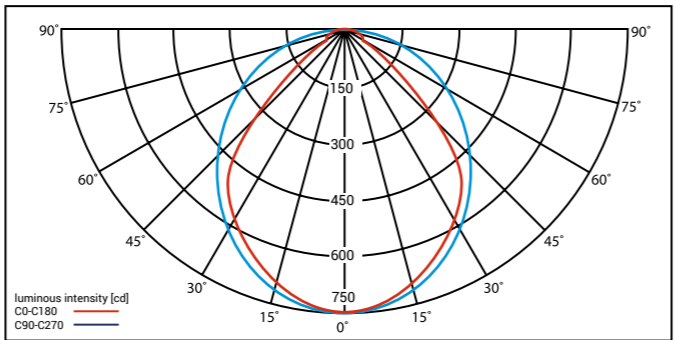
36W LED

works with / zastosuj z / применять с

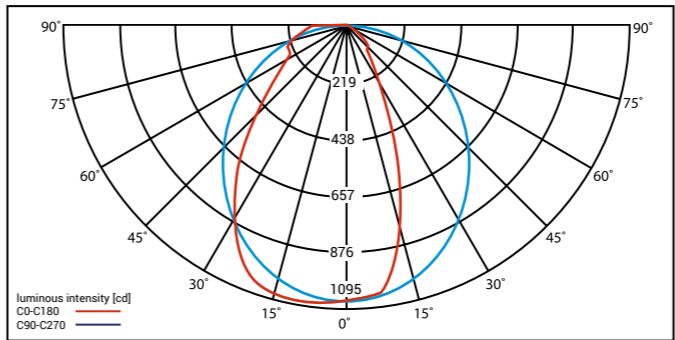
A (8566 WH, 8564 BL), B (8610 WH, 8608 BL)
E (8551 WH, 8550 BL), F (8548 WH, 8547 BL)



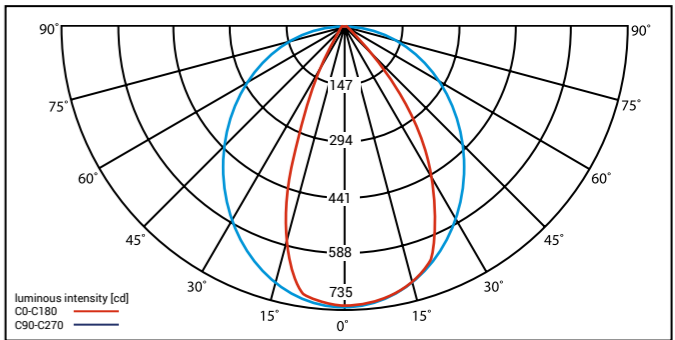
Beam cone diagram - 8451 WH



Beam cone diagram - 8450 BL



Beam cone diagram - 8453 WH



Beam cone diagram - 8452 BL

Item No.	INPUT POWER	COLOUR TEMP.	LUMINOUS FLUX	LUMINAIRE EFFICIENCY	COLOUR RENDERING INDEX (CRI ≥)	INPUT	LIFETIME
8451	36 W LED	3000K	2200 lm	60 lm/W	80	~230V, 50Hz	50 000 h
8450	36 W LED	3000K	1500 lm	40 lm/W	80	~230V, 50Hz	50 000 h

Item No.	INPUT POWER	COLOUR TEMP.	LUMINOUS FLUX	LUMINAIRE EFFICIENCY	COLOUR RENDERING INDEX (CRI ≥)	INPUT	LIFETIME
8453	36 W LED	3000K	2100 lm	60 lm/W	80	~230V, 50Hz	50 000 h
8452	36 W LED	3000K	1100 lm	30 lm/W	80	~230V, 50Hz	50 000 h