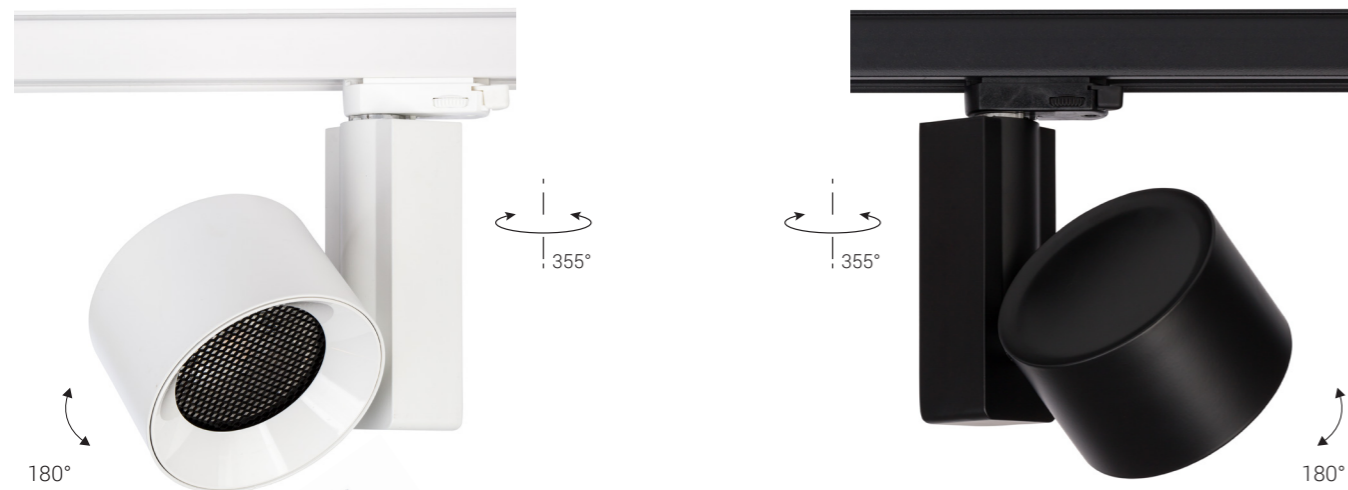


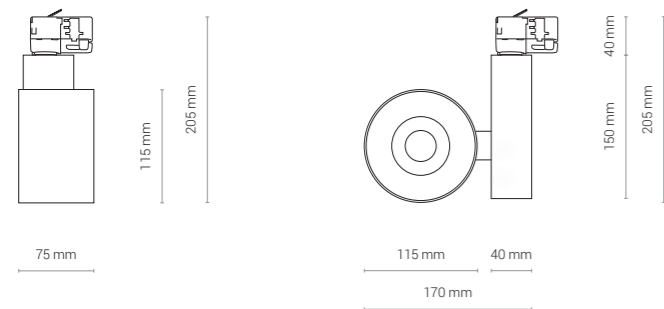
# CTLS NEA LED 40W



ZESTAW ZAWIERA 3 SOCZEWKI I FILTR PRZECIWOŚNIEIOWY "PLASTER MIODU"

3 LENSES AND ANTI-GLARE "HONEYCOMB" INCLUDED

3 ЛИНЗЫ И АНТИБЛИКОВЫЙ ФИЛЬТР (ТИП ФИЛЬТРА «СОТЫ») В КОМПЛЕКТЕ



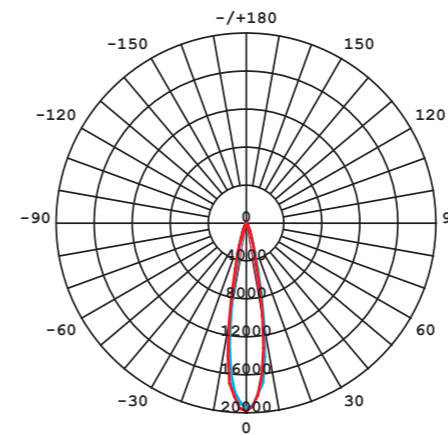
# CTLS NEA LED 40W

aluminium / aluminum / алюминий

- 8748 ○ WH - 3000K    8746 ● BL - 3000K
- 8747 ○ WH - 4000K    8745 ● BL - 4000K

Item No.	POWER	COLOUR TEMP.	LUMEN	BEAM ANGLE	CRI	IP	LED BRAND	DRIVER BRAND	LIFETIME	WARRANTY
8748	40W	3000K	3600	20°, 25°, 37°	≥90	20	SAMSUNG	OSRAM	50000h	5 YEARS
8747	40W	4000K	3600	20°, 25°, 37°	≥90	20	SAMSUNG	OSRAM	50000h	5 YEARS
8746	40W	3000K	3600	20°, 25°, 37°	≥90	20	SAMSUNG	OSRAM	50000h	5 YEARS
8745	40W	4000K	3600	20°, 25°, 37°	≥90	20	SAMSUNG	OSRAM	50000h	5 YEARS

LUMINOUS INTENSITY DISTRIBUTION DIAGRAM



Luminous intensity [cd]  
C0-C180 — red line  
C90-C270 — blue line

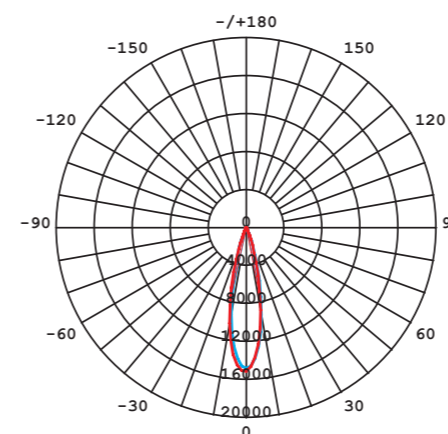
Beam cone diagram  
Beam angle 20°

Distance [m]	Illuminance [lx] 3000K/4000K	Diameter [m]
1 m	19752	0,36
2 m	4938	0,72
3 m	2195	1,08
4 m	1235	1,43
5 m	790	1,79
6 m	549	2,15
7 m	403	2,51

8745, 8746, 8747, 8748, 40W, 3000K, 4000K, beam angle 20°



LUMINOUS INTENSITY DISTRIBUTION DIAGRAM



Luminous intensity [cd]  
C0-C180 — red line  
C90-C270 — blue line

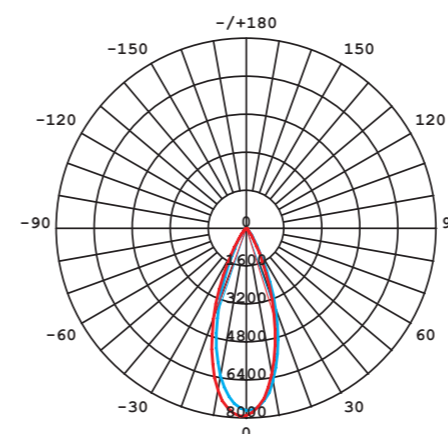
Beam cone diagram  
Beam angle 25°

Distance [m]	Illuminance [lx] 3000K/4000K	Diameter [m]
1 m	15100	0,42
2 m	3775	0,84
3 m	1678	1,27
4 m	944	1,69
5 m	604	2,11
6 m	419	2,53
7 m	308	2,95

8745, 8746, 8747, 8748, 40W, 3000K, 4000K, beam angle 25°



LUMINOUS INTENSITY DISTRIBUTION DIAGRAM



Luminous intensity [cd]  
C0-C180 — red line  
C90-C270 — blue line

Beam cone diagram  
Beam angle 37°

Distance [m]	Illuminance [lx] 3000K/4000K	Diameter [m]
1 m	7906	0,68
2 m	1977	1,36
3 m	879	2,05
4 m	494	2,73
5 m	316	3,41
6 m	220	4,09
7 m	161	4,77

8745, 8746, 8747, 8748, 40W, 3000K, 4000K, beam angle 37°

