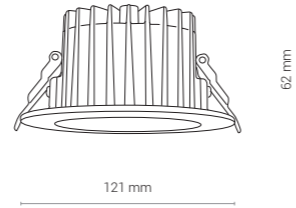
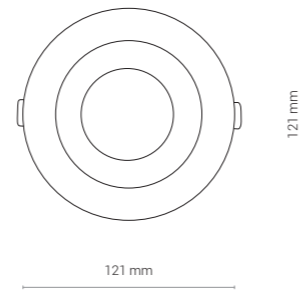


# CL KEA LED 20W



cut out  $\varnothing$  95 mm

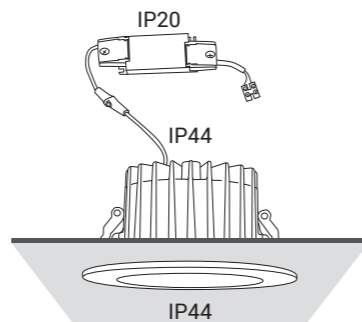


# CL KEA LED 20W

aluminium, PC / aluminum, PC / алюминий, PC

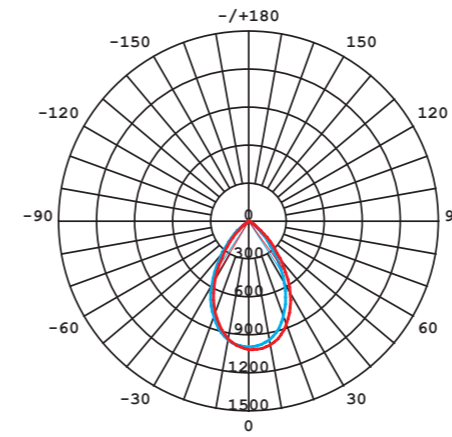
8773  WH - 3000K

8772  WH - 4000K



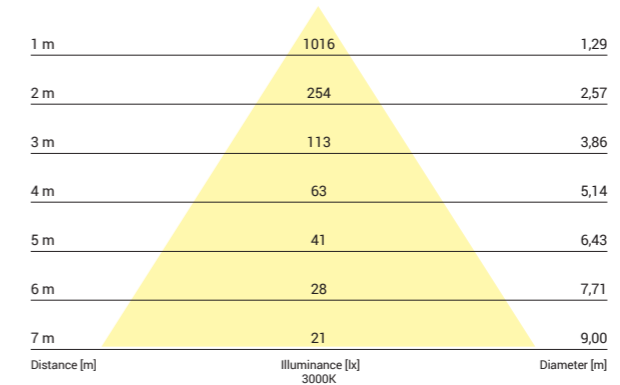
Item No.	POWER	COLOUR TEMP.	LUMEN	BEAM ANGLE	CRI	IP	LED BRAND	DRIVER BRAND	LIFETIME	WARRANTY
8773	20W	3000K	1150	65°	≥90	44 / 20	SAMSUNG	OSRAM	50000h	5 YEARS
8772	20W	4000K	1150	65°	≥90	44 / 20	SAMSUNG	OSRAM	50000h	5 YEARS

LUMINOUS INTENSITY DISTRIBUTION DIAGRAM



Luminous intensity [cd]  
C0-C180 — red line  
C90-C270 — blue line

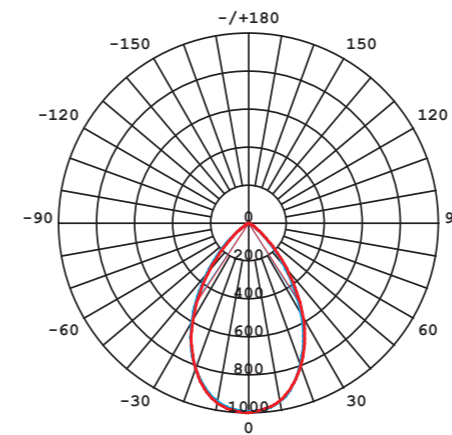
Beam cone diagram  
Beam angle 65°



8773, 20W, 3000K, beam angle 65°

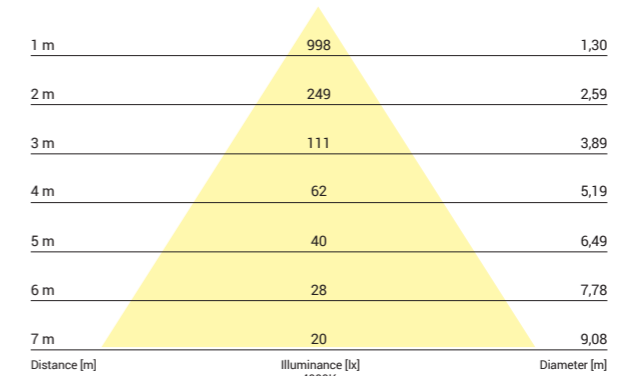


LUMINOUS INTENSITY DISTRIBUTION DIAGRAM



Luminous intensity [cd]  
C0-C180 — red line  
C90-C270 — blue line

Beam cone diagram  
Beam angle 65°



8772, 20W, 4000K, beam angle 65°

