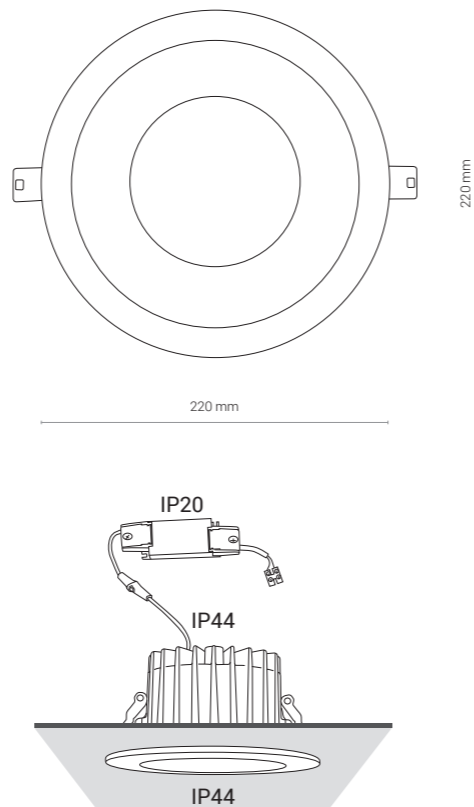
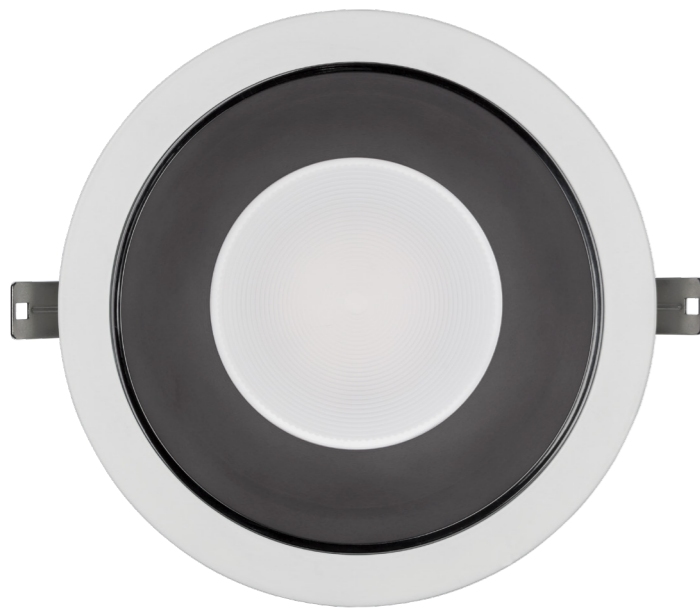
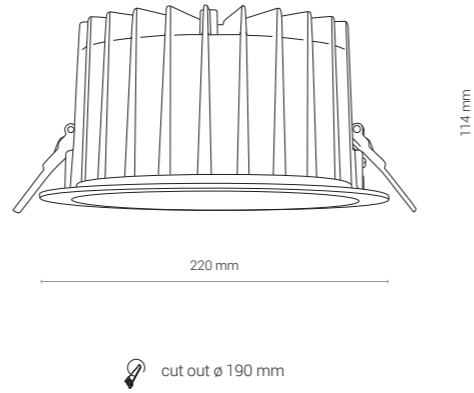


CL KEA LED 40W



CL KEA LED 40W

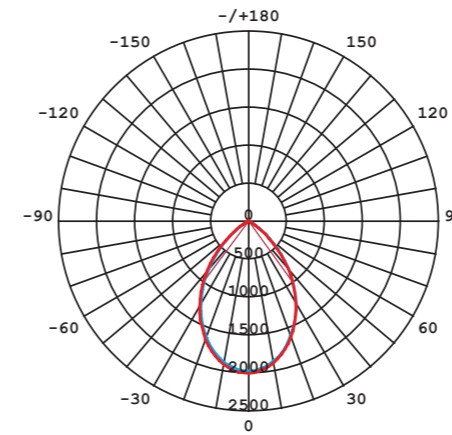
aluminium, PC / aluminum, PC / алюминий, PC

8768 ○ WH - 3000K

8767 ○ WH - 4000K

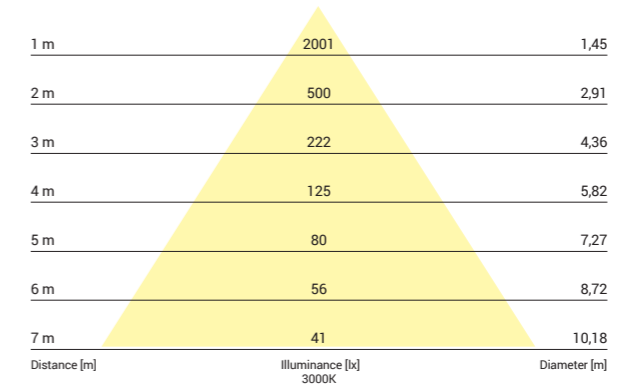
Item No.	POWER	COLOUR TEMP.	LUMEN	BEAM ANGLE	CRI	IP	LED BRAND	DRIVER BRAND	LIFETIME	WARRANTY
8768	40W	3000K	2700	65°	≥90	44 / 20	SAMSUNG	OSRAM	50000h	5 YEARS
8767	40W	4000K	2700	65°	≥90	44 / 20	SAMSUNG	OSRAM	50000h	5 YEARS

LUMINOUS INTENSITY DISTRIBUTION DIAGRAM



Luminous intensity [cd]
C0-C180 — 500
C90-C270 — 2000

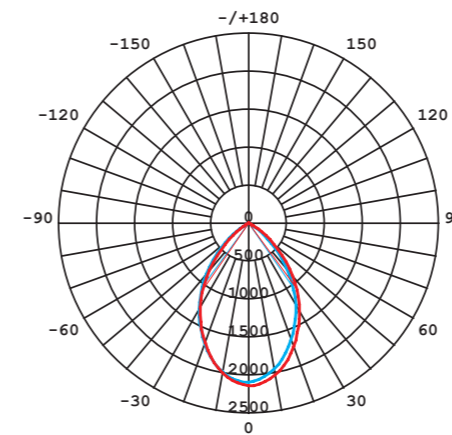
Beam cone diagram
Beam angle 65°



8768, 40W, 3000K, beam angle 65°

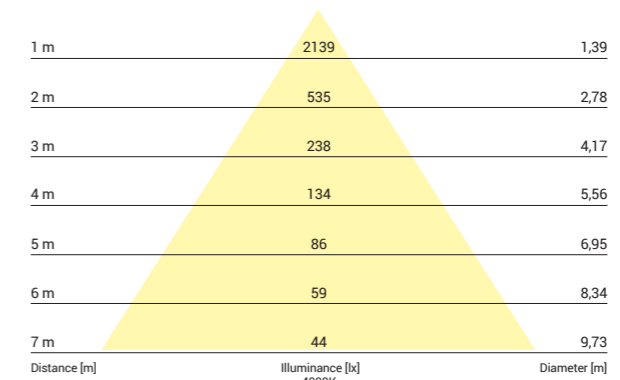


LUMINOUS INTENSITY DISTRIBUTION DIAGRAM



Luminous intensity [cd]
C0-C180 — 500
C90-C270 — 2000

Beam cone diagram
Beam angle 65°



8767, 40W, 4000K, beam angle 65°

