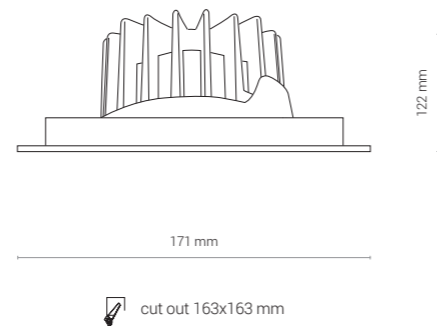
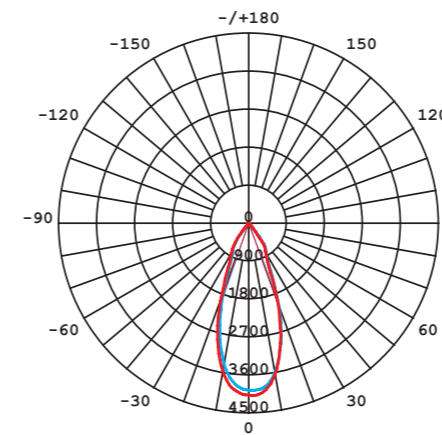


CL DIA LED 30W



LUMINOUS INTENSITY DISTRIBUTION DIAGRAM



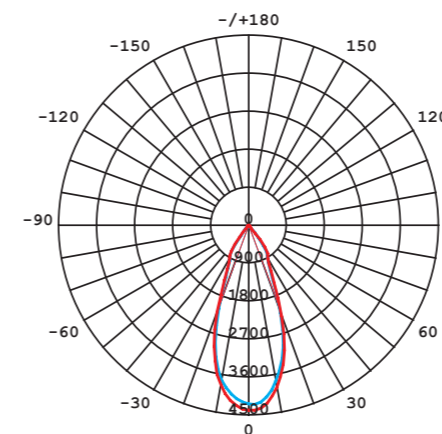
Luminous intensity [cd]
 C0-C180 — (red line)
 C90-C270 — (blue line)

Beam cone diagram
 Beam angle 40°

| Distance [m] | Illuminance [lx] 3000K | Diameter [m] |
|--------------|---------------------------|--------------|
| 1 m | 4077 | 0,70 |
| 2 m | 1019 | 1,41 |
| 3 m | 453 | 2,11 |
| 4 m | 255 | 2,82 |
| 5 m | 163 | 3,52 |
| 6 m | 113 | 4,23 |
| 7 m | 83 | 4,93 |

8720, 30W, 3000K, beam angle 40°

LUMINOUS INTENSITY DISTRIBUTION DIAGRAM

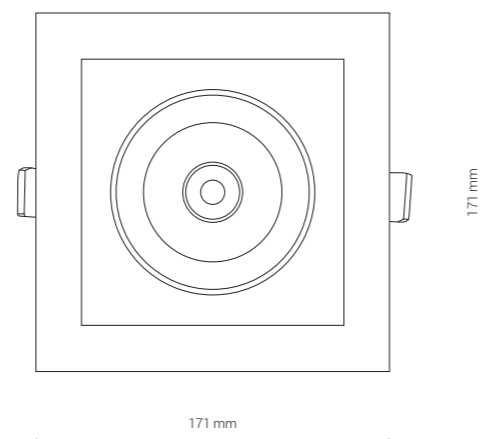


Luminous intensity [cd]
 C0-C180 — (red line)
 C90-C270 — (blue line)

Beam cone diagram
 Beam angle 40°

| Distance [m] | Illuminance [lx] 4000K | Diameter [m] |
|--------------|---------------------------|--------------|
| 1 m | 4388 | 0,72 |
| 2 m | 1097 | 1,44 |
| 3 m | 488 | 2,16 |
| 4 m | 274 | 2,88 |
| 5 m | 176 | 3,60 |
| 6 m | 122 | 4,32 |
| 7 m | 90 | 5,05 |

8718, 30W, 4000K, beam angle 40°



CL DIA LED 30W

aluminium, stal lakierowana / aluminum, painted steel /
 алюминий, лакированная сталь

8720 ● WH / BL - 3000K

8718 ● WH / BL - 4000K

| Item No. | POWER | COLOUR TEMP. | LUMEN | BEAM ANGLE | CRI | IP | LED BRAND | DRIVER BRAND | LIFETIME | WARRANTY |
|----------|-------|--------------|-------|------------|-----|----|-----------|--------------|----------|----------|
| 8720 | 30W | 3000K | 2250 | 40° | ≥90 | 20 | CREE | OSRAM | 50000h | 5 YEARS |
| 8718 | 30W | 4000K | 2250 | 40° | ≥90 | 20 | CREE | OSRAM | 50000h | 5 YEARS |