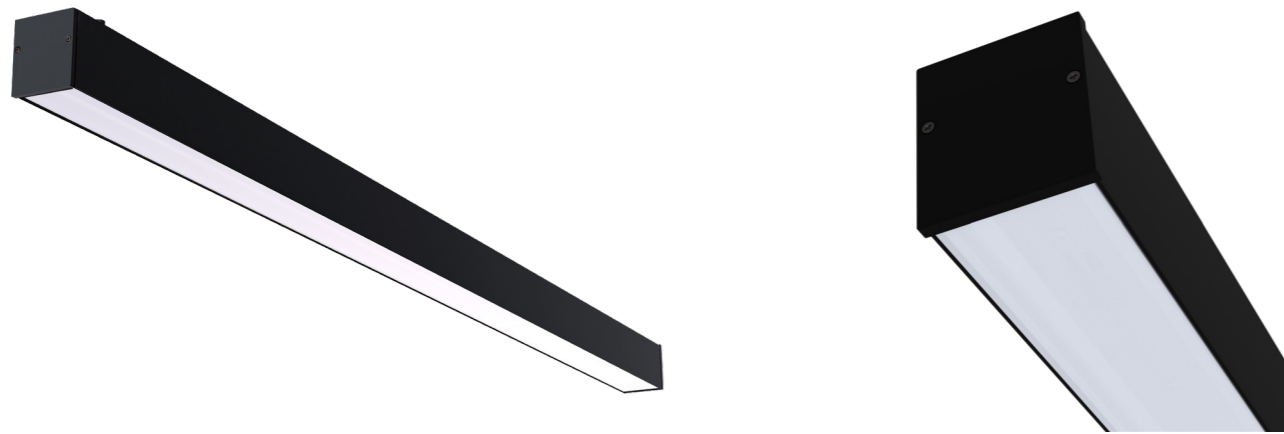
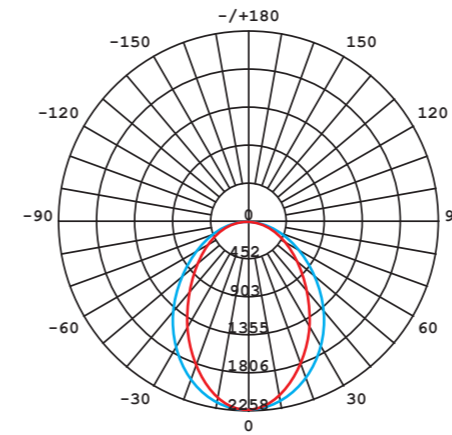


CL OFFICE PRO LED 150, 40W

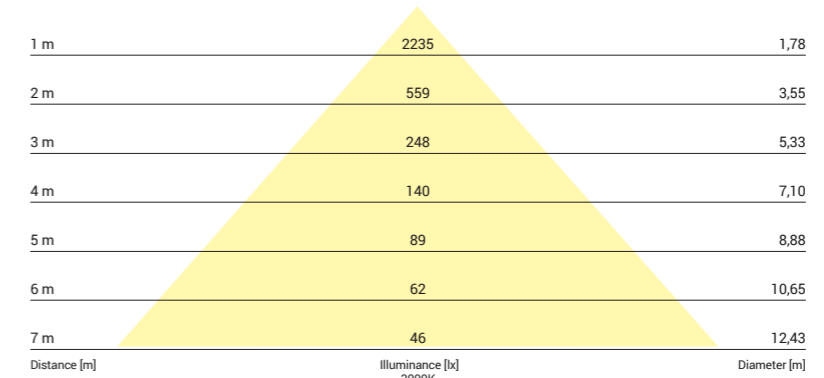


LUMINOUS INTENSITY DISTRIBUTION DIAGRAM



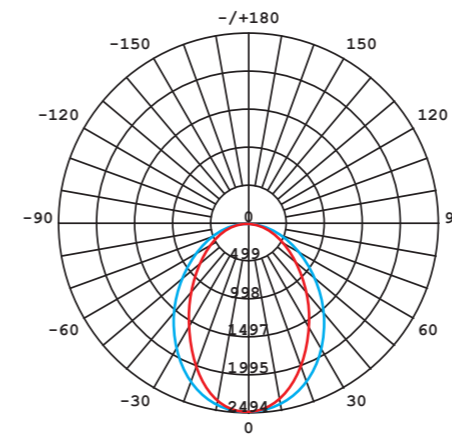
Luminous intensity [cd]
C0-C180 —
C90-C270 —

Beam cone diagram
Beam angle 83°



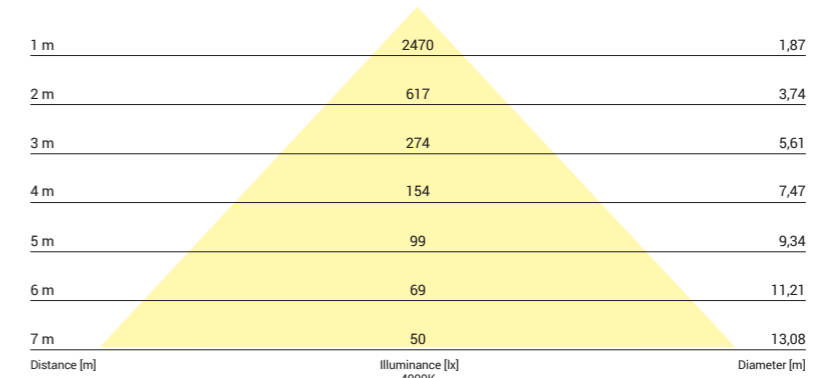
8295, 40W, 3000K, beam angle 83°

LUMINOUS INTENSITY DISTRIBUTION DIAGRAM



Luminous intensity [cd]
C0-C180 —
C90-C270 —

Beam cone diagram
Beam angle 86°

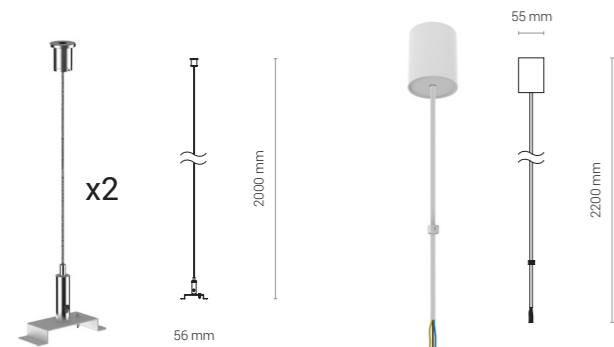
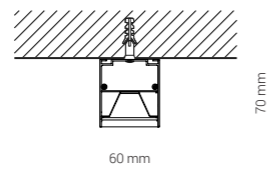
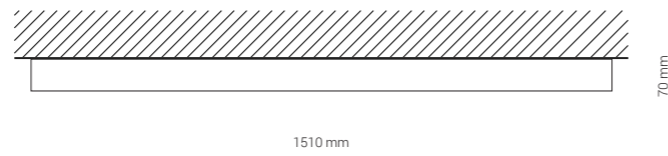


8292, 40W, 4000K, beam angle 86°

CL OFFICE PRO LED 150

aluminium / aluminum / алюминий

- 8294 ○ WH - 3000K
- 8295 ● BL - 3000K
- 8292 ○ WH - 4000K
- 8293 ● BL - 4000K



CL OFFICE PRO / HALL PRO SUSPENSION KIT

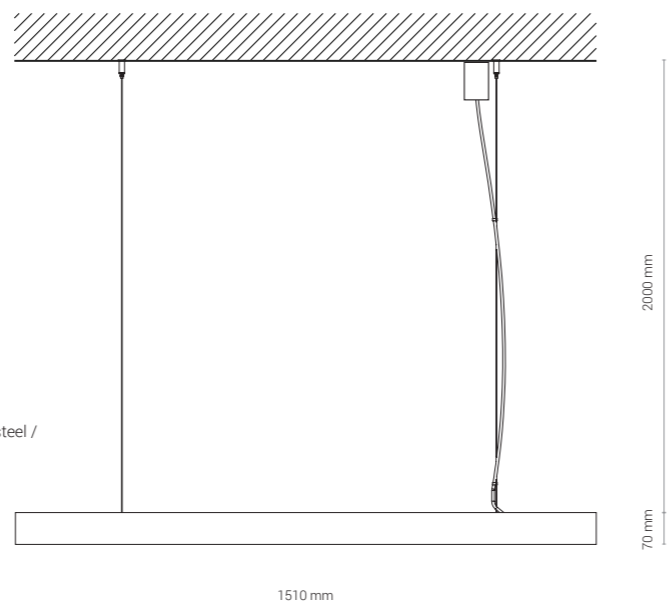
stal / steel / сталь

- 8291 ○ WH
- 8250 ● BL

CL OFFICE PRO / HALL PRO POWER SUPPLY KIT

przewód, stal lakierowana / wire, painted steel / проволока, лакированная сталь

- 8290 ○ WH
- 8288 ● BL



Item No.	POWER	COLOUR TEMP.	LUMEN	BEAM ANGLE	CRI	IP	LED BRAND	DRIVER BRAND	LIFETIME	WARRANTY
8294	40W	3000K	4820	86°	≥80	52	PHILIPS	PHILIPS	50000h	5 YEARS
8292	40W	4000K	5250	86°	≥80	52	PHILIPS	PHILIPS	50000h	5 YEARS
8295	40W	3000K	4540	83°	≥80	52	PHILIPS	PHILIPS	50000h	5 YEARS
8293	40W	4000K	4710	83°	≥80	52	PHILIPS	PHILIPS	50000h	5 YEARS