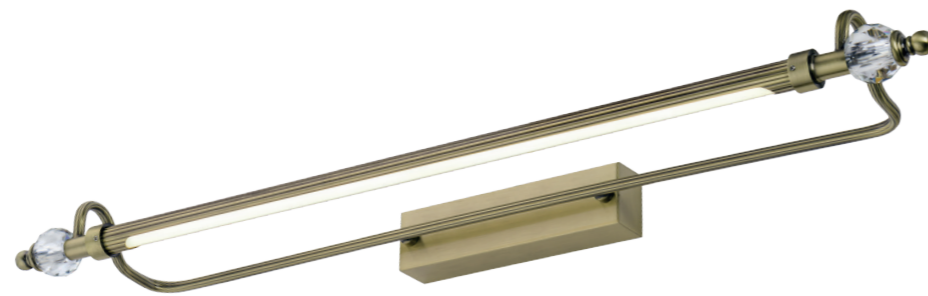


REMBRANT LED M 8166 A/BS



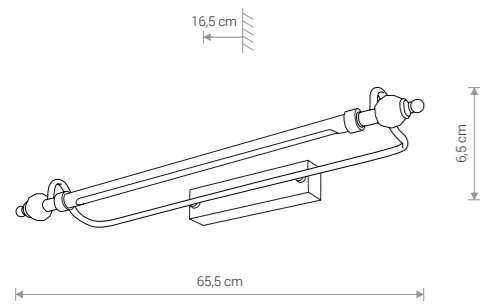
GIOTTO LED S 8168 A/BS



REMBRANT LED L 8167 A/BS



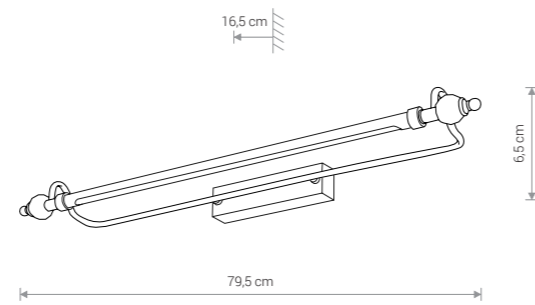
GIOTTO LED M 8170 A/BS



REMBRANT LED M

stal / steel / сталь

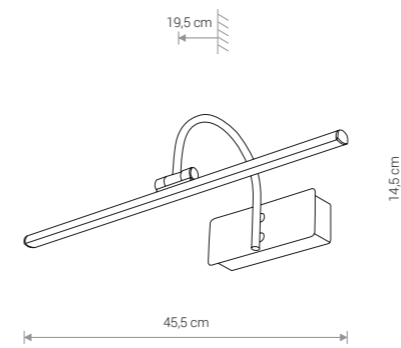
8166  A/BS



REMBRANT LED L

stal / steel / сталь

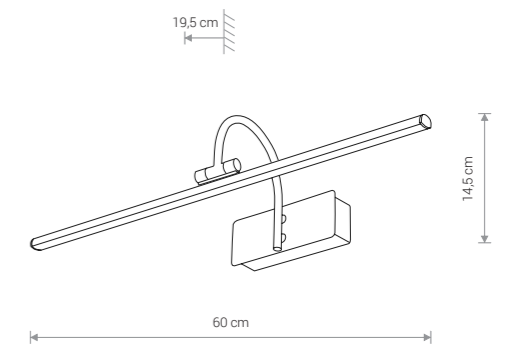
8167  A/BS



GIOTTO LED S

stal / steel / сталь

8168  A/BS



GIOTTO LED M

stal / steel / сталь

8170  A/BS

Item No.	POWER	COLOUR TEMP.	LUMINOUS FLUX	BEAM ANGLE	COLOUR RENDERING INDEX (CRI ≥)	INPUT	POWER FACTOR	SAFETY CLASS	INGRESS PROTECTION	LIFETIME
8166	8W	3000K	600 lm	120°	80	~220-230V, 50/60Hz	0,5	⊕	IP20	30 000h
8167	12W	3000K	700 lm	120°	80	~220-230V, 50/60Hz	0,5	⊕	IP20	30 000h

Item No.	POWER	COLOUR TEMP.	LUMINOUS FLUX	BEAM ANGLE	COLOUR RENDERING INDEX (CRI ≥)	INPUT	POWER FACTOR	SAFETY CLASS	INGRESS PROTECTION	LIFETIME
8168	8W	3000K	420 lm	120°	80	~220-230V, 50/60Hz	0,5	⊕	IP20	30 000h
8170	12W	3000K	570 lm	120°	80	~220-230V, 50/60Hz	0,5	⊕	IP20	30 000h