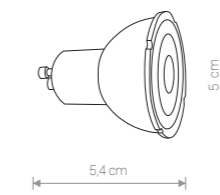


BULB GX53 LED 8W

tworzywo sztuczne / plastic / пластик

8377 ○ WH - 3000K

8378 ○ WH - 4000K



REFLECTOR GU10, R50, LED 7W

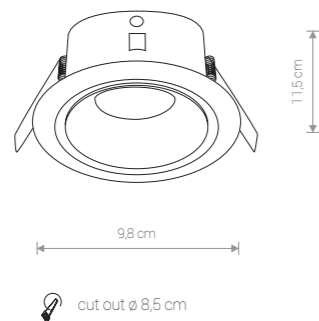
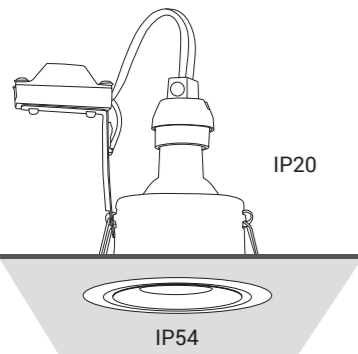
tworzywo sztuczne / thermal plastic / пластик

8348 ○ BL - 3000K

8347 ○ BL - 4000K



ZESTAW ZAWIERA 4 KOLOROWE NAKŁADKI.
THE SET INCLUDES FOUR COLOURED RINGS.
В КОМПЛЕКТЕ 4 ЦВЕТНЫЕ НАКЛАДКИ



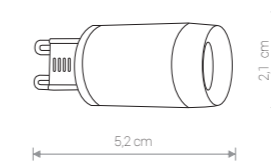
FOXTROT

aluminium, szkło / aluminium, glass / алюминий, стекло

8373 ○ WH 8374 ● BL

1xGU10, max 15W

IP54 / IP20



BULB G9 LED LENS 3W

ceramika, PC / ceramic housing, PC / PC

8447 ○ WH - 4000K

| Item No. | POWER | COLOUR TEMP. | LUMINOUS FLUX | BEAM ANGLE | COLOUR RENDERING INDEX (CRI ≥) | INPUT | POWER FACTOR | LIFETIME |
|----------|-------|--------------|---------------|------------|--------------------------------|-------------|--------------|----------|
| 8377 | 8W | 3000K | 600 lm | 120° | ≥80 | ~230V, 50Hz | 0,5 | 25 000h |
| 8378 | 8W | 4000K | 600 lm | 120° | ≥80 | ~230V, 50Hz | 0,5 | 25 000h |
| 8348 | 7W | 3000K | 500 lm | 36° | ≥80 | ~230V, 50Hz | 0,5 | 25 000h |
| 8347 | 7W | 4000K | 500 lm | 36° | ≥80 | ~230V, 50Hz | 0,5 | 25 000h |
| 8447 | 3W | 4000K | 280 lm | 120° | ≥80 | ~230V, 50Hz | 0,5 | 25 000h |