

# INSTALLATION MANUAL

10102H

**ecolight**



DARK LIGHT

85 CRI



700mA | 2W | IP65 | Aluminium

Requires 700mA driver.



37mm



40mm



30mm

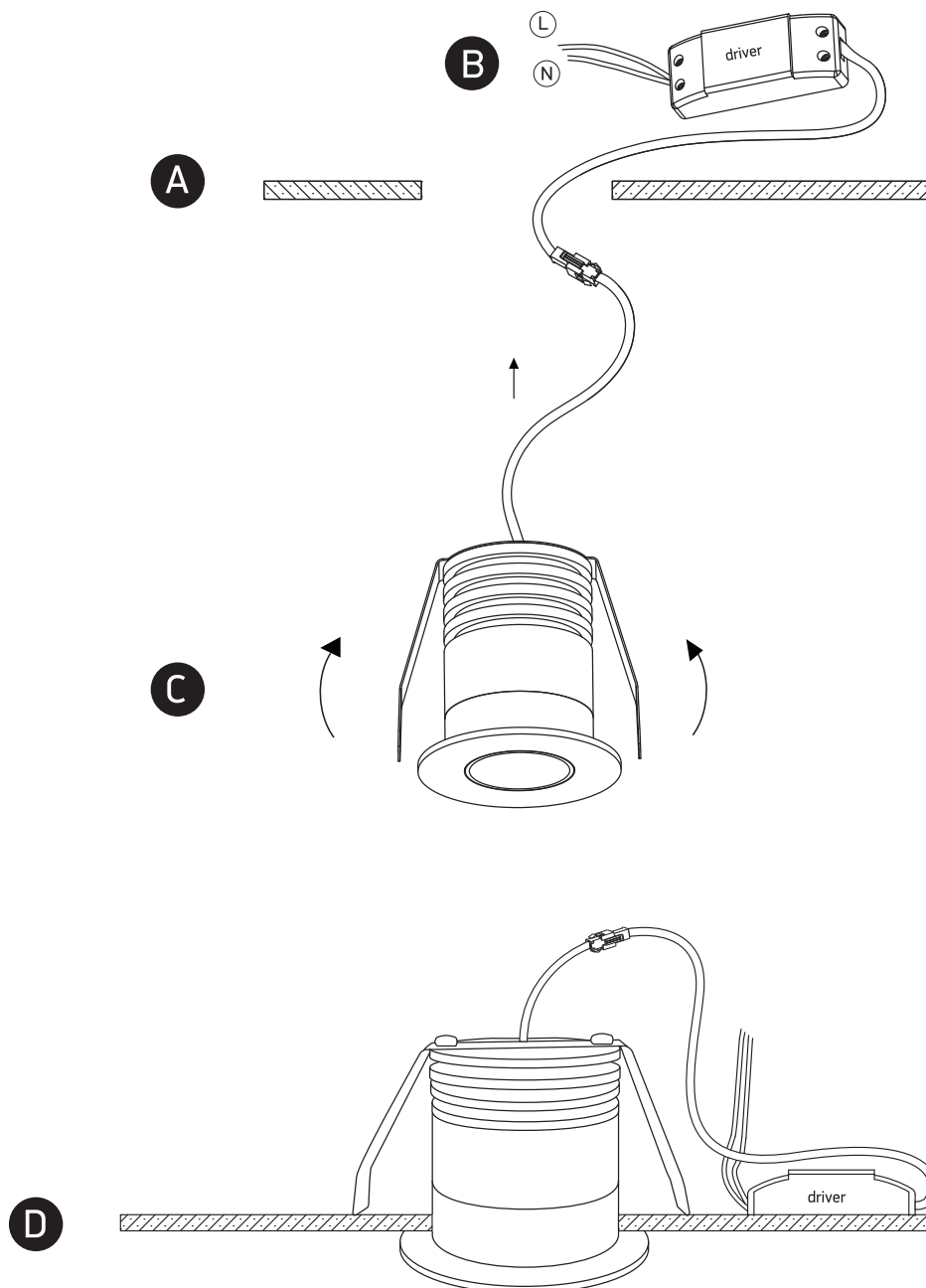


50mm



100cm

**one**  
LIGHT



## Warnings:

1. Make sure that the product is installed properly before connecting to electricity.
2. Do not cover the fitting.
3. Maintenance and installation should only be carried out by a professional electrician.