

INSTALLATION MANUAL

10103B

ecolight



90 CRI



350mA/700mA | COB LED | 1W/2W | IP20 | Aluminium
For 1W use 350mA driver / For 2W use 700mA driver.



42mm



35mm



35mm

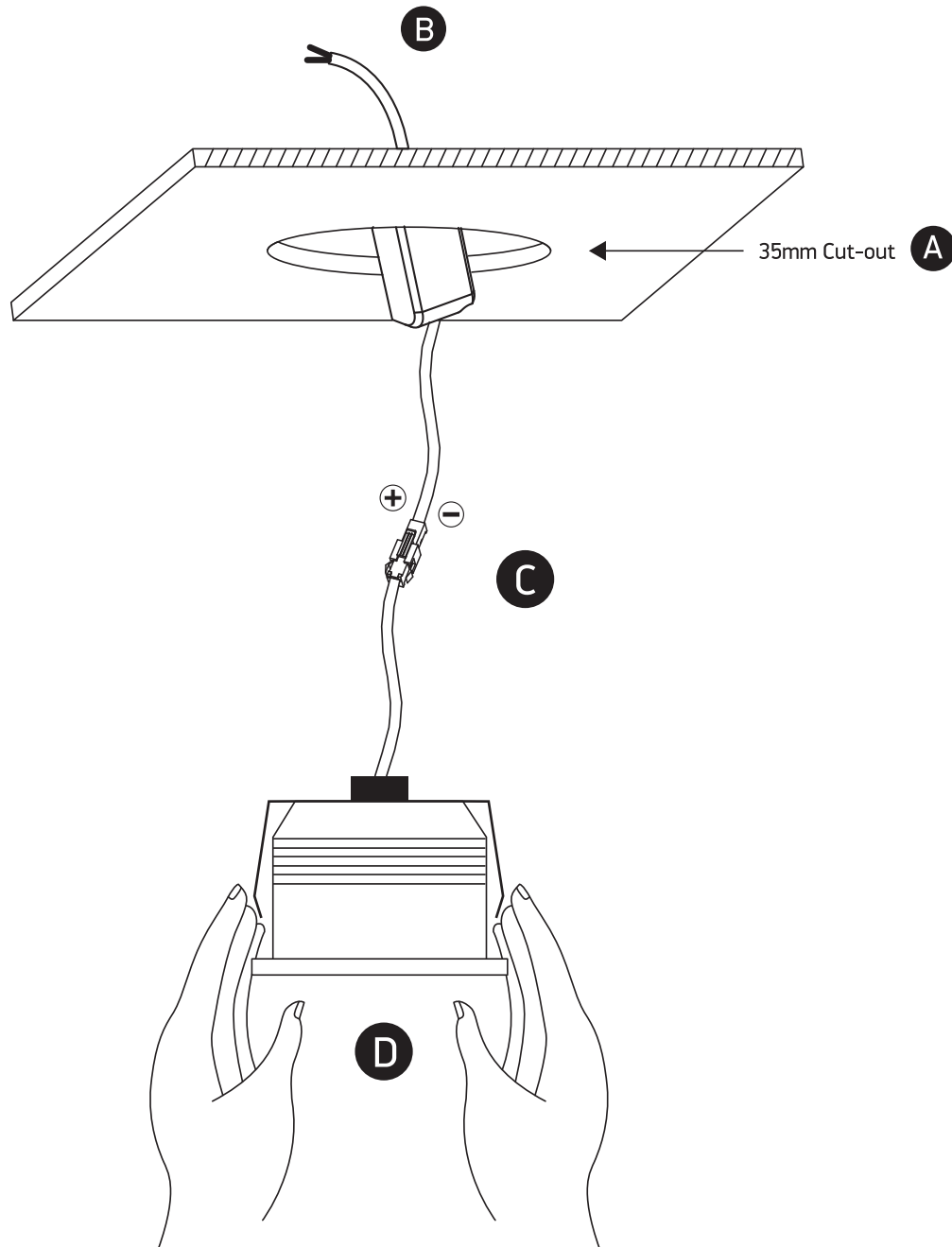


50mm



40cm

one
LIGHT



Warnings:

1. Make sure that the product is installed properly before connecting to electricity.
2. Do not cover the fitting.
3. Maintenance and installation should only be carried out by a professional electrician.