

INSTALLATION MANUAL

10112X

LED
BUILT IN



DARK
LIGHT

90
CRI

CE EAC UK CA

RoHS
COMPLIANT

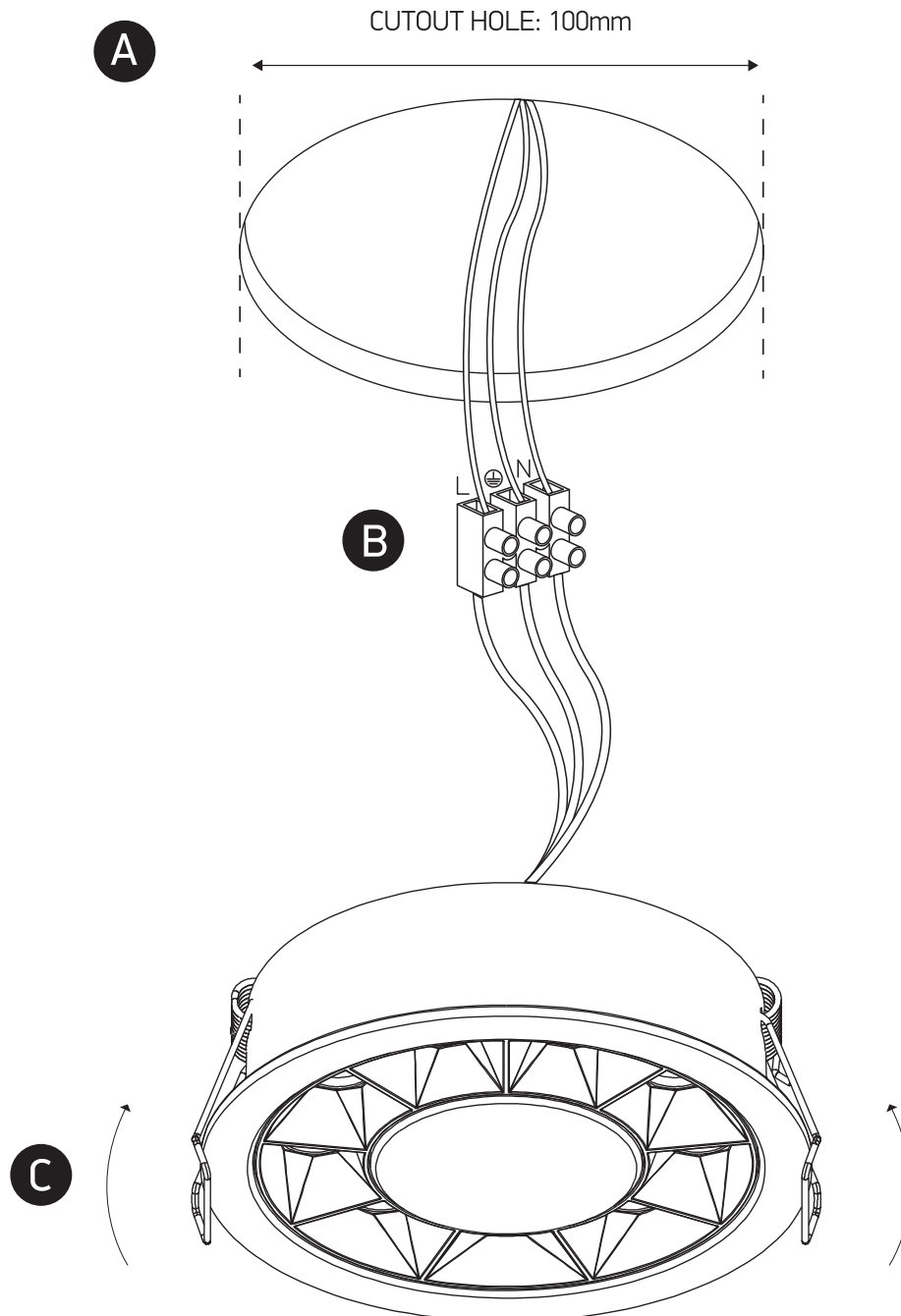
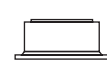
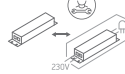


112mm

35mm

one
LIGHT

230V | SMD 3030 | 12W | IP20 | Aluminium
Complete with 300mA driver.



Warnings:

1. Make sure that the product is installed properly before connecting to electricity.
2. Do not cover the fitting.
3. Maintenance and installation should only be carried out by a professional electrician.