

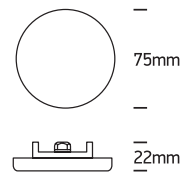
INSTALLATION MANUAL

10106CF

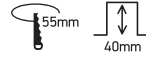
ecodownlight



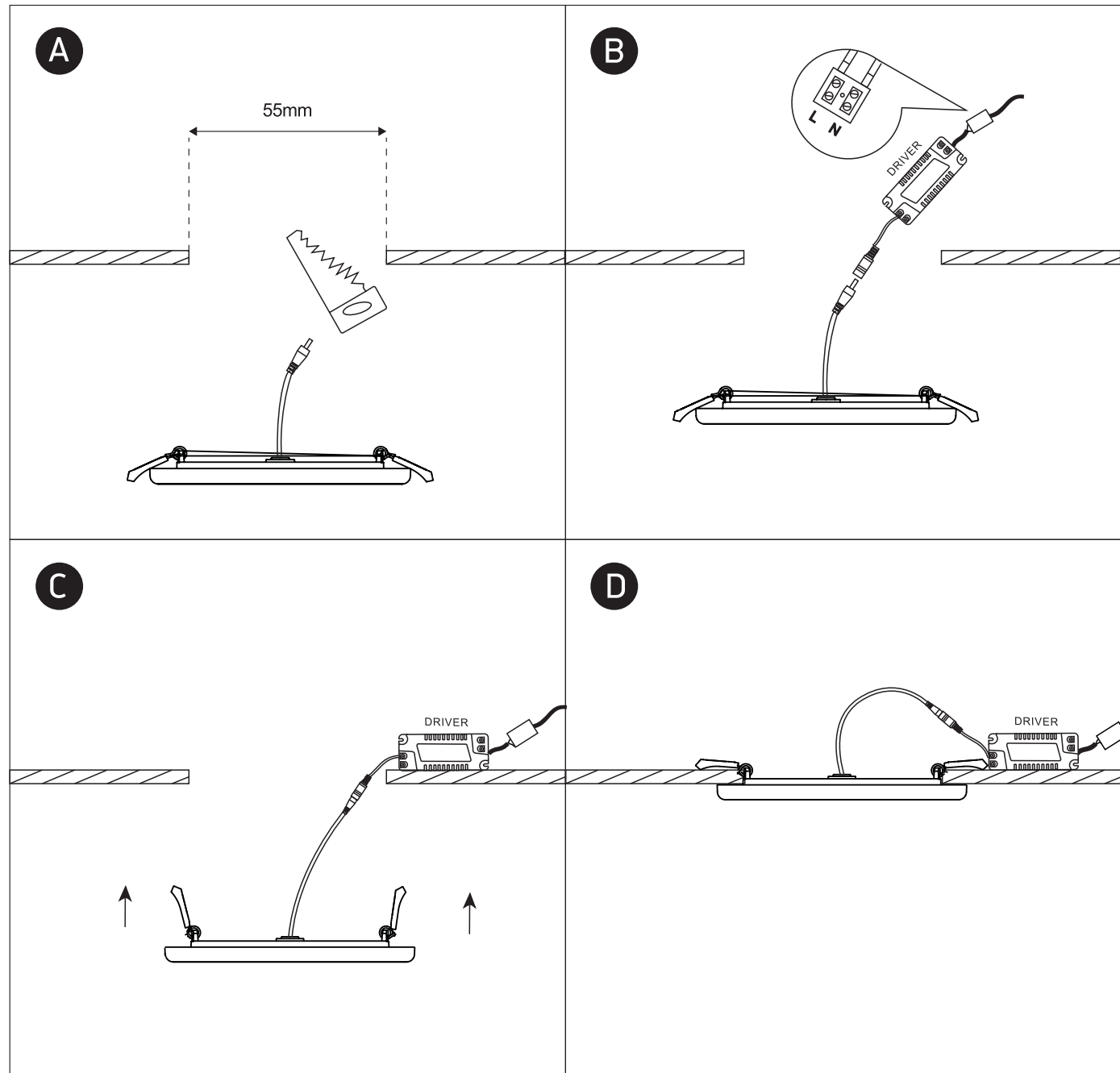
80
CRI



230V | SMD 4014 | 6W | IP65 | Die cast + opal diffuser
Complete with driver.



one
LIGHT



Warnings:

1. Make sure that the product is installed properly before connecting to electricity.
2. Do not cover the fitting.
3. Maintenance and installation should only be carried out by a professional electrician.