

INSTALLATION MANUAL

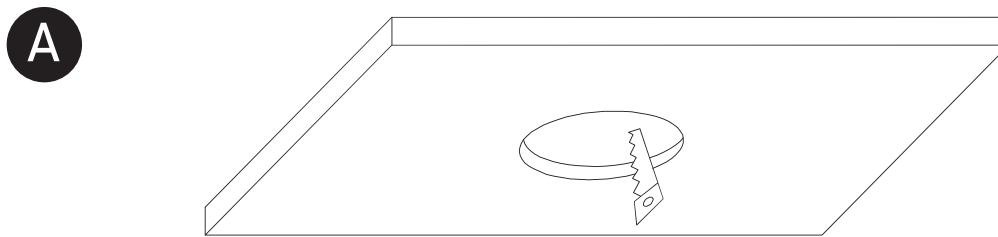
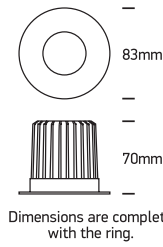
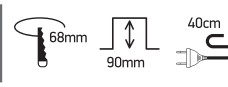
10106PF



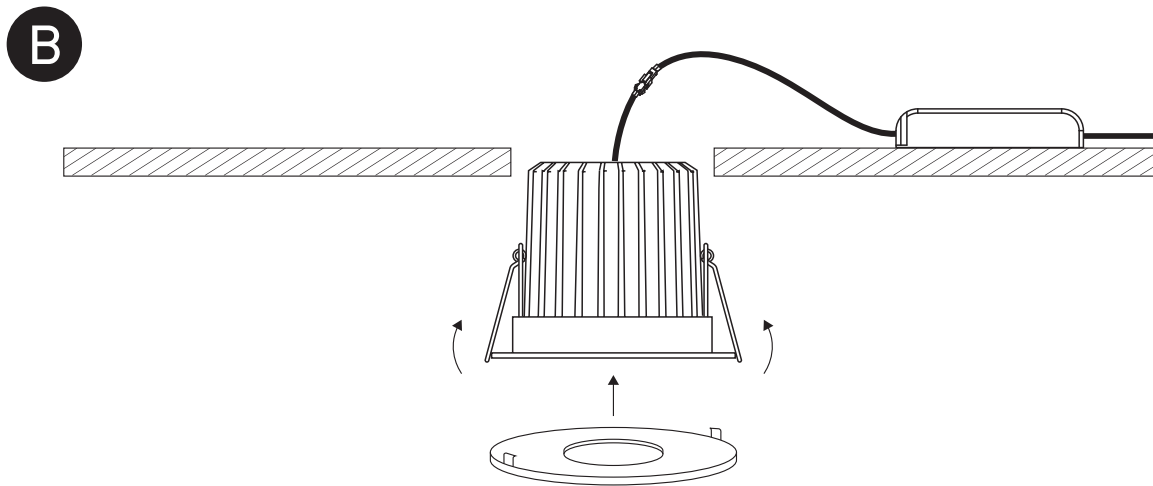
350mA | 6W | IP65 | Fire rated | Die cast

Requires 350mA driver.

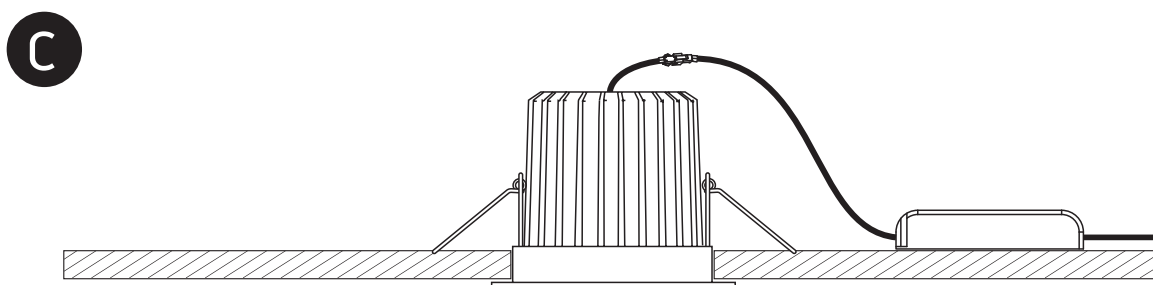
80
CRI



CUTOUT HOLE: 68mm



Adjust the ring.



Warnings:

1. Make sure that the product is installed properly before connecting to electricity.
2. Do not cover the fitting.
3. Maintenance and installation should only be carried out by a professional electrician.