

INSTALLATION MANUAL

10106XTR

LED
BUILT IN

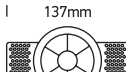


**DARK
LIGHT**

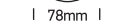
**90
CRI**

CE EAC UK CA

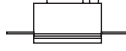
**RoHS
COMPLIANT**



137mm



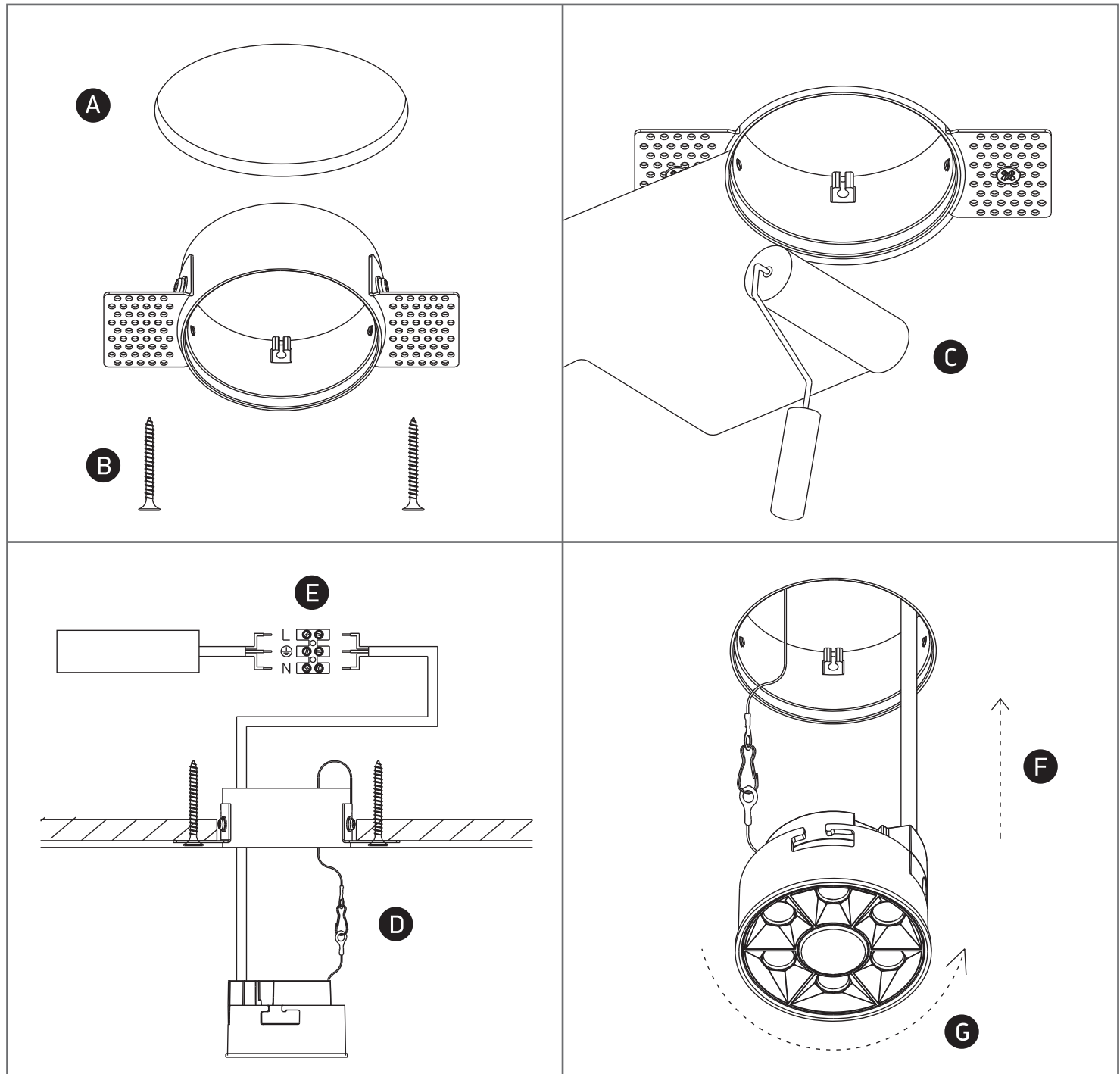
78mm



48mm

one
LIGHT

230V | SMD 3030 | 6W | IP20 | Trimless | Aluminium
Complete with 150mA driver.



Warnings:

1. Make sure that the product is installed properly before connecting to electricity.
2. Do not cover the fitting.
3. Maintenance and installation should only be carried out by a professional electrician.