

# INSTALLATION MANUAL

10107HC

**ecolight**

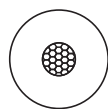


**DARK LIGHT**



700mA | 7W | IP54 | Die cast

Requires 700mA driver.



80mm



58mm

**90 CRI**



68mm

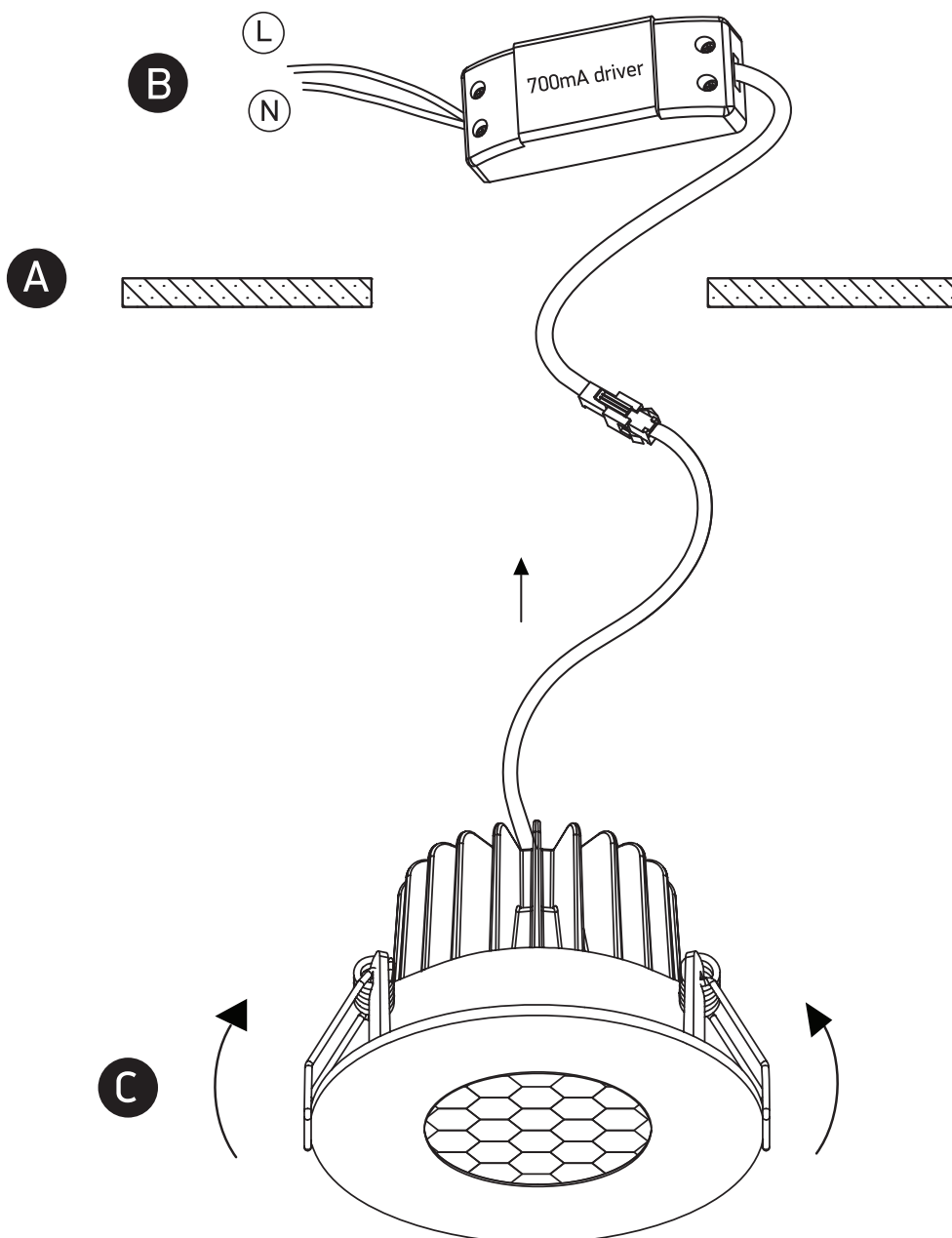


75mm



40cm

**one**  
LIGHT



## Warnings:

1. Make sure that the product is installed properly before connecting to electricity.
2. Do not cover the fitting.
3. Maintenance and installation should only be carried out by a professional electrician.