

# INSTALLATION MANUAL

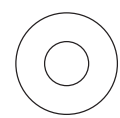
## 10107PV

**LED**  
BUILT IN

 TRIAC  
DIMMABLE

 85  
CRI

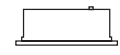
CE ENEC UK CA

 RoHS  
COMPLIANT


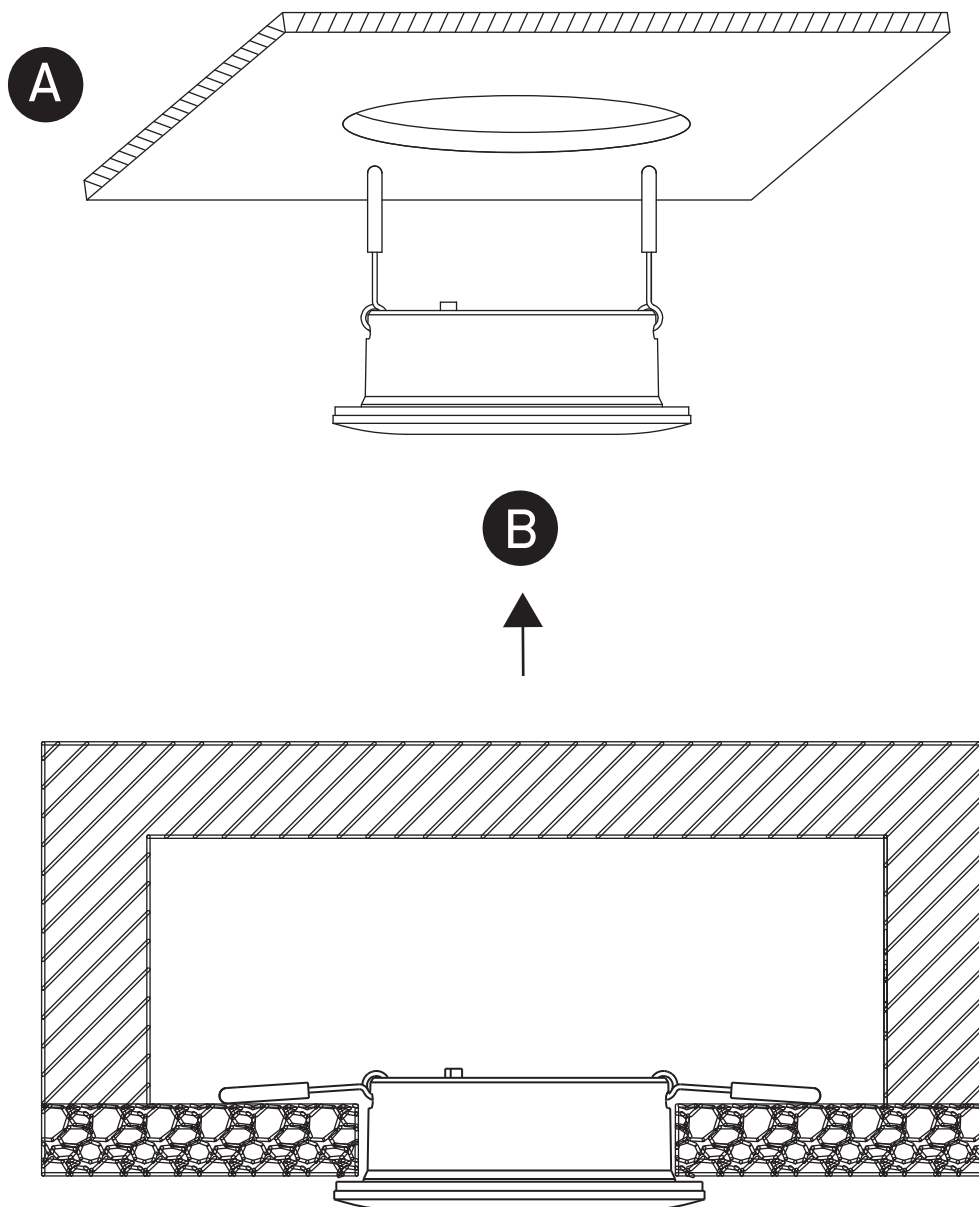
85mm

 230V | SMD 2835 | 7W | CCT Adjustable | IP65 | Plastic  
AC LED.


30cm



30mm

**one**  
LIGHT


\*IP65 is the protection degree for the visible part of the fitting under the ceiling. The part of the fitting hidden in the ceiling is IP20.

### Warnings:

1. Make sure that the product is installed properly before connecting to electricity.
2. Do not cover the fitting.
3. Maintenance and installation should only be carried out by a professional electrician.