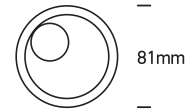


INSTALLATION MANUAL

10108A

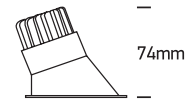
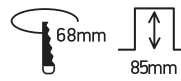
ecolight



81mm

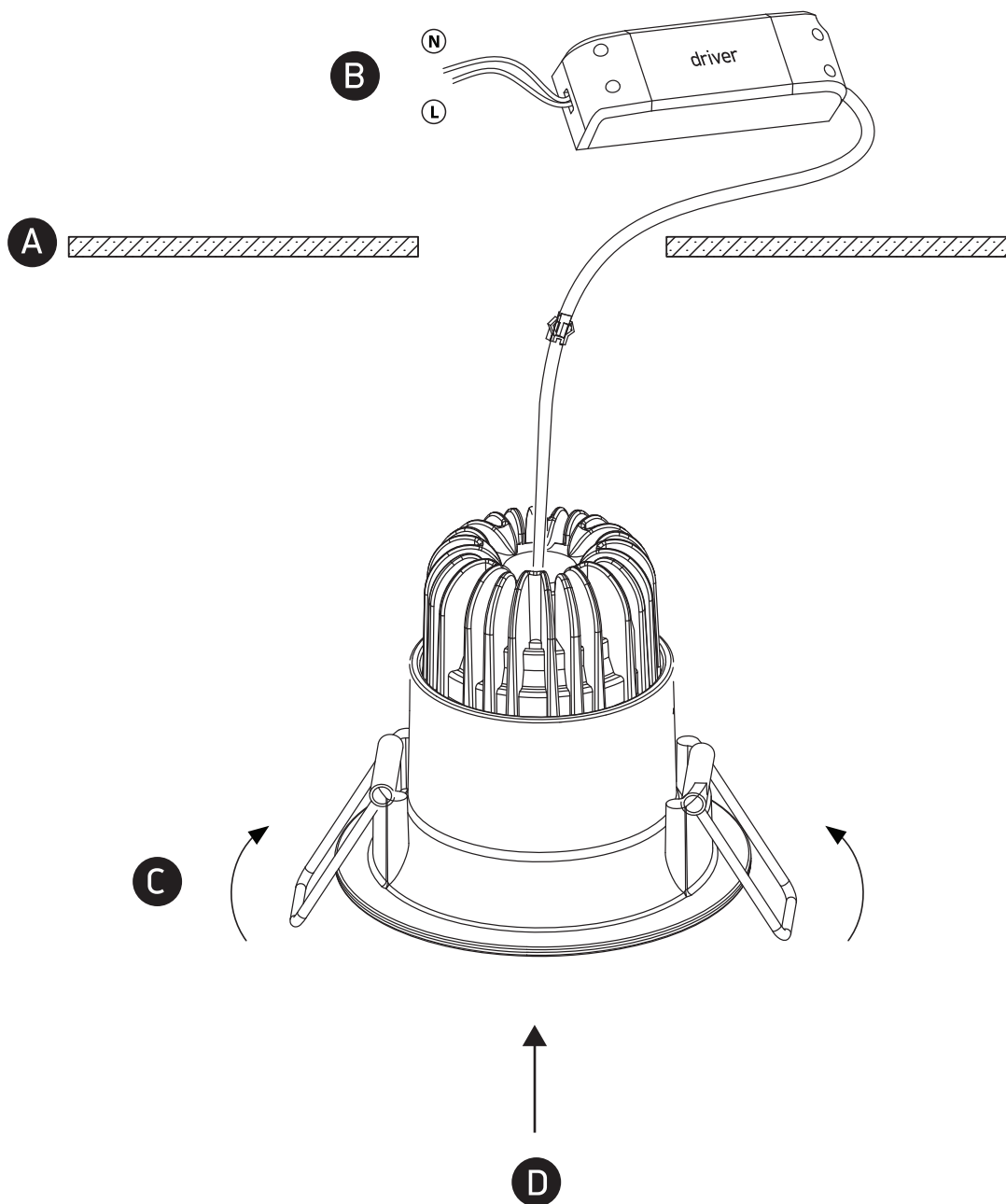
230V | COB LED | 8W | IP20 | Assymetric reflector | Die cast
Complete with 350mA driver.

80
CRI



74mm

one
LIGHT



Warnings:

1. Make sure that the product is installed properly before connecting to electricity.
2. Do not cover the fitting.
3. Maintenance and installation should only be carried out by a professional electrician.