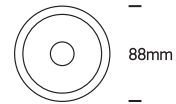


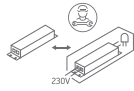
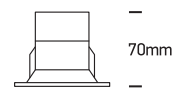
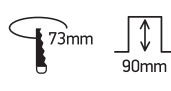
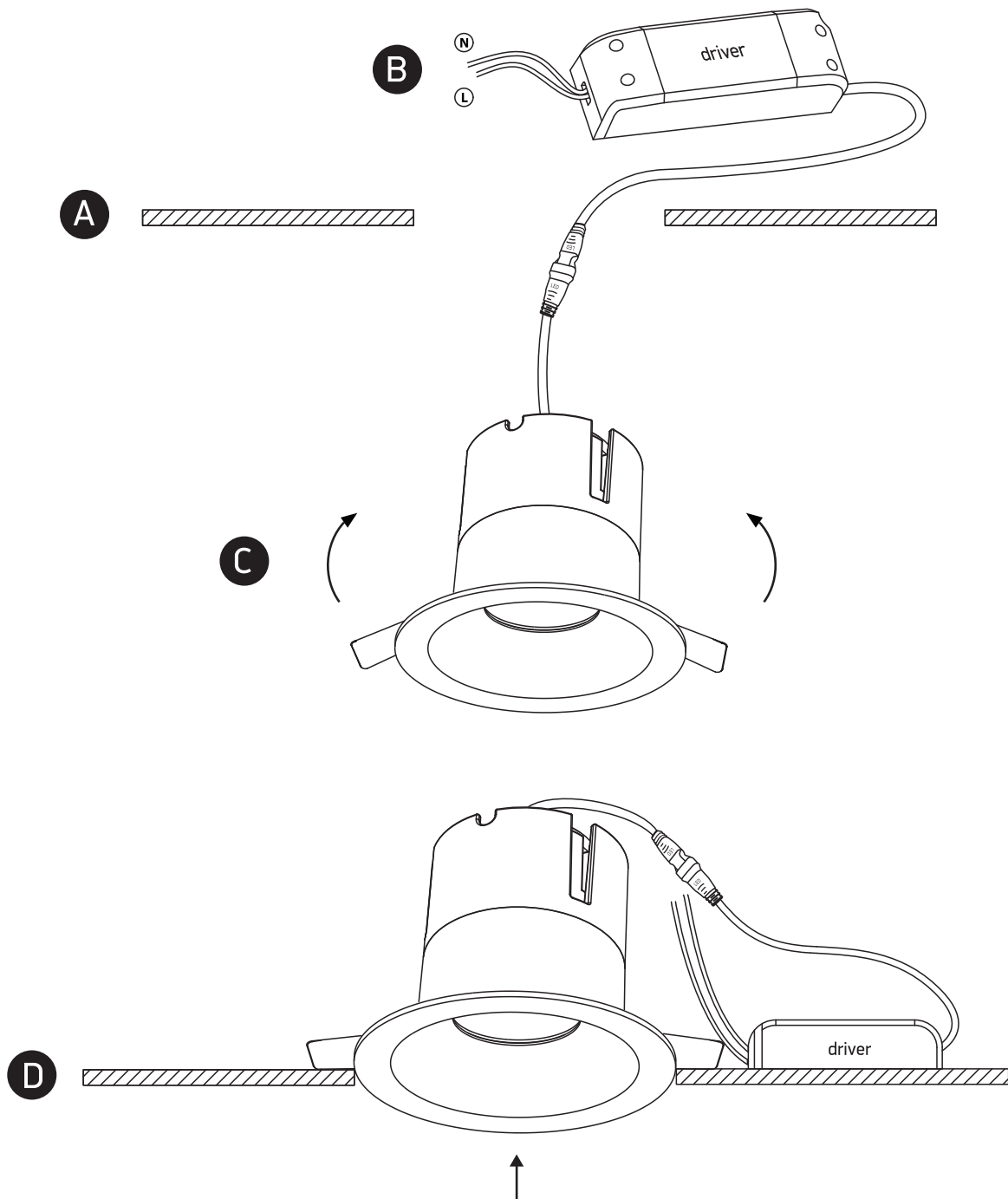
INSTALLATION MANUAL

10108D

ecolight


230V | COB LED | 8W | IP20 | Die cast

Complete with 300mA driver.


80 CRI

one
L I G H T


Warnings:

1. Make sure that the product is installed properly before connecting to electricity.
2. Do not cover the fitting.
3. Maintenance and installation should only be carried out by a professional electrician.