

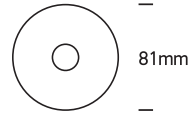
# INSTALLATION MANUAL

## 10108R

**ecolight**

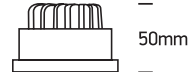
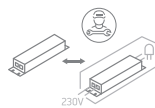
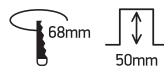


80  
CRI



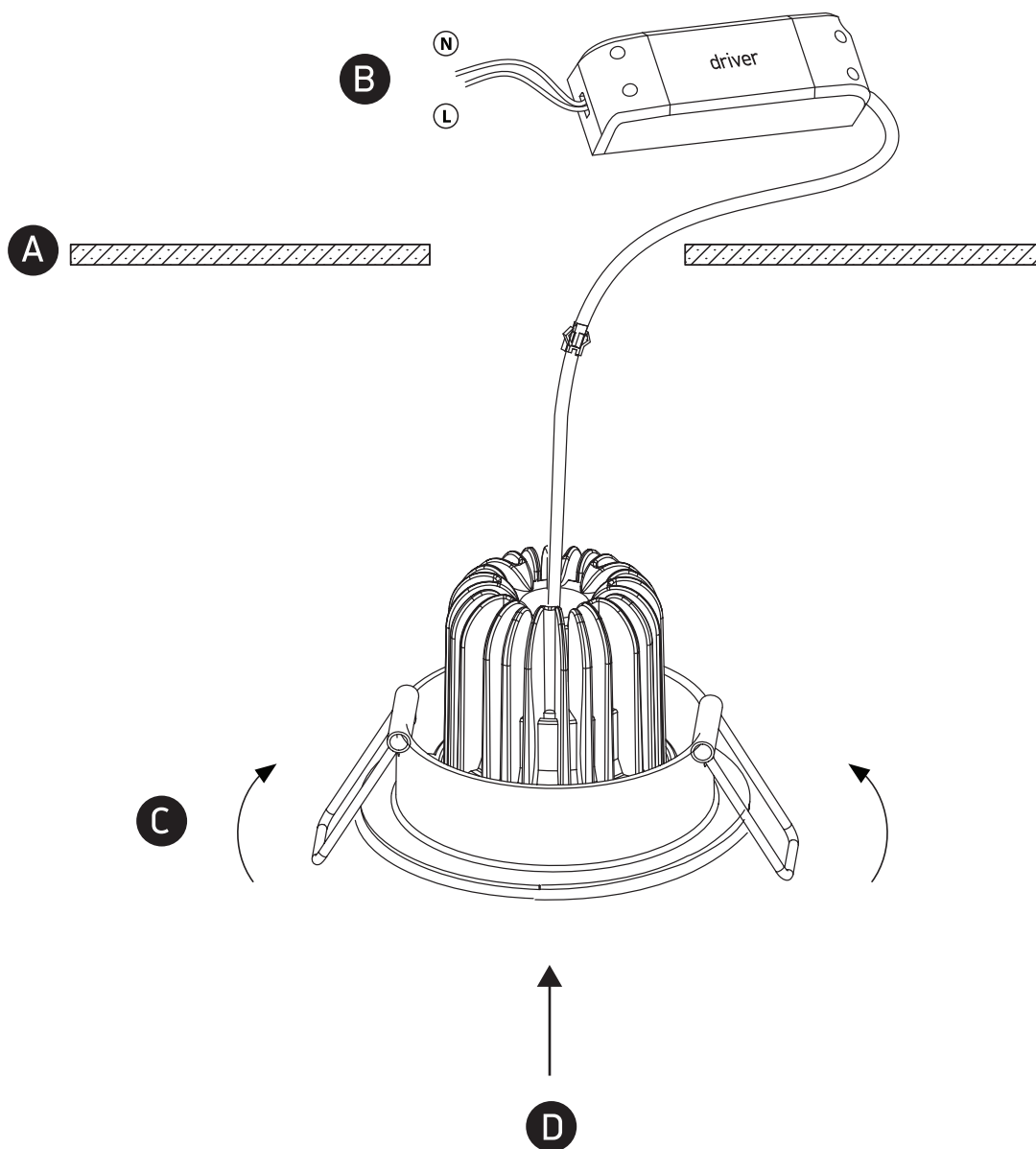
81mm

230V | COB LED | 8W | IP20 | Die cast  
Complete with 350mA driver.



50mm

**one**  
LIGHT



### Warnings:

1. Make sure that the product is installed properly before connecting to electricity.
2. Do not cover the fitting.
3. Maintenance and installation should only be carried out by a professional electrician.